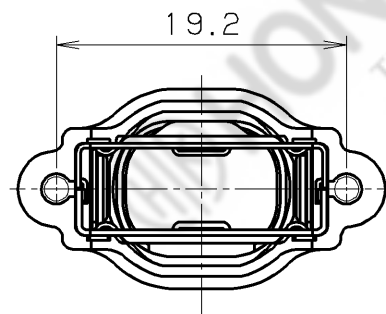


AFTER ASSEMBLY DRAWING



HONDA TSUSHIN KOGYO CO., LTD.
 The product information in this drawing is for reference only.
 This is subject to change without notice.
 Contact our sales staff for further information.
 Please request the Engineering Drawing for the most current and accurate design information.

					4	THUMB SCREW	STEEL	2	NICKEL PLATING	---
△3					3	INNER SHELL A	STAINLESS STEEL	1	NICKEL PLATING	---
△2					2	INNER SHELL B	STAINLESS STEEL	1	NICKEL PLATING	---
△1					1	PLASTIC COVER	ABS RESIN	1	---	UL94V-0 BLACK
LTR.	DATE	BY	REV.	DESCRIPT	No.	PART NAME	MATERIAL	QTY	FINISH	NOTE
DATE		SCALE		UNIT		3RD. A. P				
Mar. 2, 2007		2 / 1		mm (INCH)		HONDA TSUSHIN KOGYO CO., LTD.				
APP. DATE&REV.						NAME		HDR-E TYPE CABLE COVER (RoHS)		
DR.		DE.		CHK.		CHK.		APP.		PART NO. HDR-E26LPK+
Y. KATO		Y. KATO		---		---		K. KASHIO		
										REV.