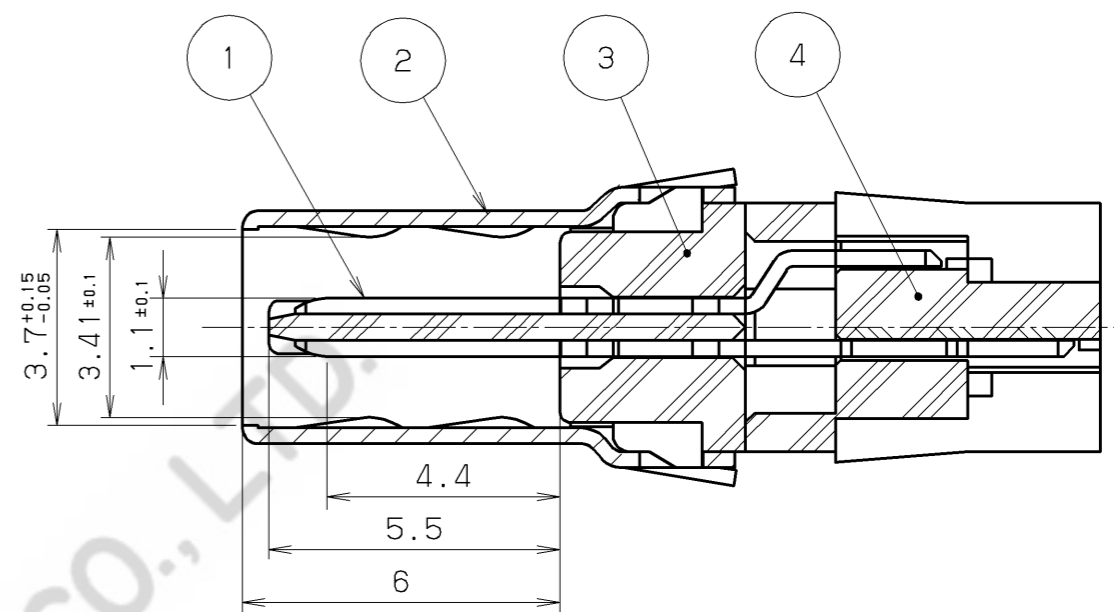
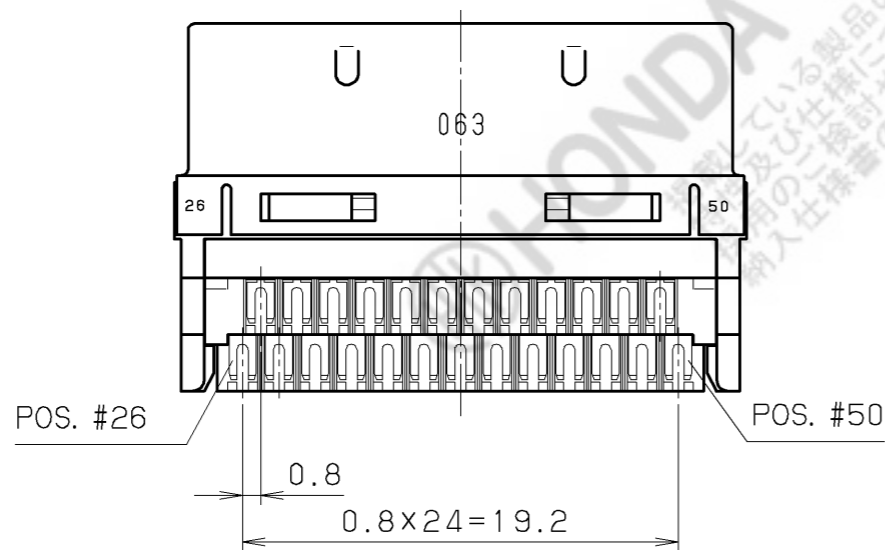
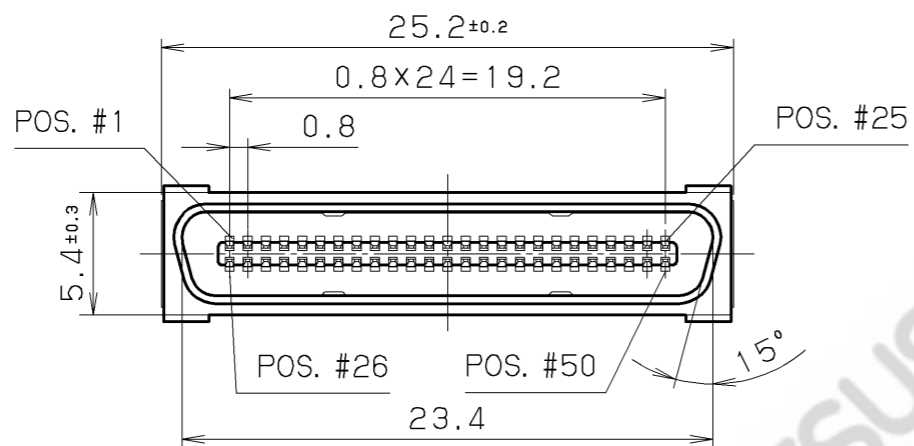
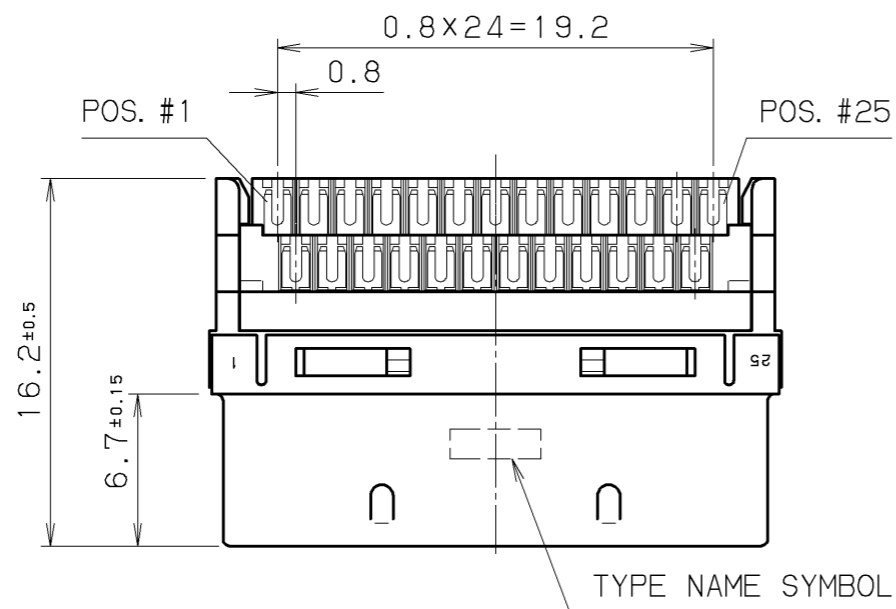


- 1. CONTACT PLATING
MATING AREA: 0.76 MICROMETERS MINIMUM GOLD PLATING
TERMINATION AREA: 0.05 MICROMETERS MINIMUM GOLD PLATING
UNDERPLATING: NICKEL PLATING
- 2. APPLICABLE HOOD
HDR-26LPH ()

- 3. MATING CONNECTOR
HDR-EA26LFY () G1+
HDR-E26LFY () G1+
HDR-EC26LFDT () +
- 4. SPECIFICATION
RATED CURRENT 0.5A
RATED VOLTAGE 125V AC (r. m. s.)

LTR.	DATE	BY	REV.	DESCRIPT	No.	PART NAME	MATERIAL	QTY	FINISH	NOTE
△	Apr. 23 2007	Y. K		SHAPE (SPACER)	4	SPACER	PA9T (GF)	1	—	UL94V-0 BLACK
△	MAR. 17 2006	M. M		REVISE	3	INSULATOR	PBT (GF)△	1	—	UL94V-0 BLACK
△	JUN. 19 2005	M. M		CHANGE MATERIAL AND FORM	2	SHELL	STEEL	1	NICKEL PLATING	—
△					1	MALE CONTACT	PHOSPHOR BRONZE	26	NOTE#1	—

DATE		SCALE		UNIT		3RD. A. P		HONDA TSUSHIN KOGYO CO., LTD.			
Oct. 20. 2004		3 / 1		mm (INCH)							
APP. DATE & REV.											
DR.	DE.	CHK.	CHK.	APP.	NAME		0.8mm SPACING SHIELDED MALE CABLE CONNECTOR				
Y. KATO	M. MIYAZAKI	—	C. NUNOKAWA	K. KASHIO	PART NO.		HDR-E26MSG1+△				
										REV. 3C	



CONTACT DETAIL

1. CONTACT PLATING
MATING AREA: 0.76 MICRO METERS MINIMUM GOLD PLATING
TERMINATION AREA: 0.05 MICRO METERS MINIMUM GOLD PLATING
UNDERPLATING: NICKEL PLATING
2. APPLICABLE HOOD
HDR-E50LPH
3. MATING CONNECTOR
HDR-EC50LFDT () () +
4. SPECIFICATION
RATED CURRENT 0.5A
RATED VOLTAGE 125V AC (r. m. s.)

LTR.	DATE	BY	REV.	DESCRIPT	No.	PART NAME	MATERIAL	QTY	FINISH	NOTE
					4	SPACER	PA9T (GF)	1	—	UL94V-0 BLACK
					3	INSULATOR	PBT (GF)	1	—	UL94V-0 BLACK
					2	SHELL	STEEL	1	NICKEL PLATING	—
					1	MALE CONTACT	PHOSPHOR BRONZE	50	NOTE#1	—
	DATE	SCALE	UNIT	3RD. A. P	HONDA TSUSHIN KOGYO CO., LTD.					
	Mar. 13, 2006	3 / 1	mm (INCH)							
	APP. DATE&REV.				NAME		0.8mm SPACING SHIELDED MALE CABLE CONNECTOR			
	DR.	DE.	CHK.	CHK.	APP.	PART NO.	HDR-E50MSG1+			REV.
	Y. KATO	Y. KATO	—	—	H. EBIHARA					