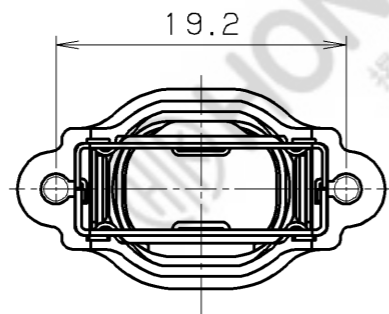


AFTER ASSEMBLY DRAWING



LTR.	DATE	BY	REV.	DESCRIPT	No.	PART NAME	MATERIAL	QTY	FINISH	NOTE
					4	THUMB SCREW	STEEL	2	NICKEL PLATING	---
					3	INNER SHELL A	STAINLESS STEEL	1	NICKEL PLATING	---
					2	INNER SHELL B	STAINLESS STEEL	1	NICKEL PLATING	---
					1	PLASTIC COVER	ABS RESIN	1	---	UL94V-0 BLACK
DATE						SCALE	UNIT	3RD. A. P		
Mar. 2, 2007						2 / 1	mm (INCH)	HONDA TSUSHIN KOGYO CO., LTD.		
APP. DATE&REV.						NAME		HDR-E TYPE CABLE COVER (RoHS)		
DR.		DE.		CHK.	CHK.	APP.	PART NO.		HDR-E26LPK+	REV.
Y. KATO		Y. KATO		---	---	K. KASHIO				