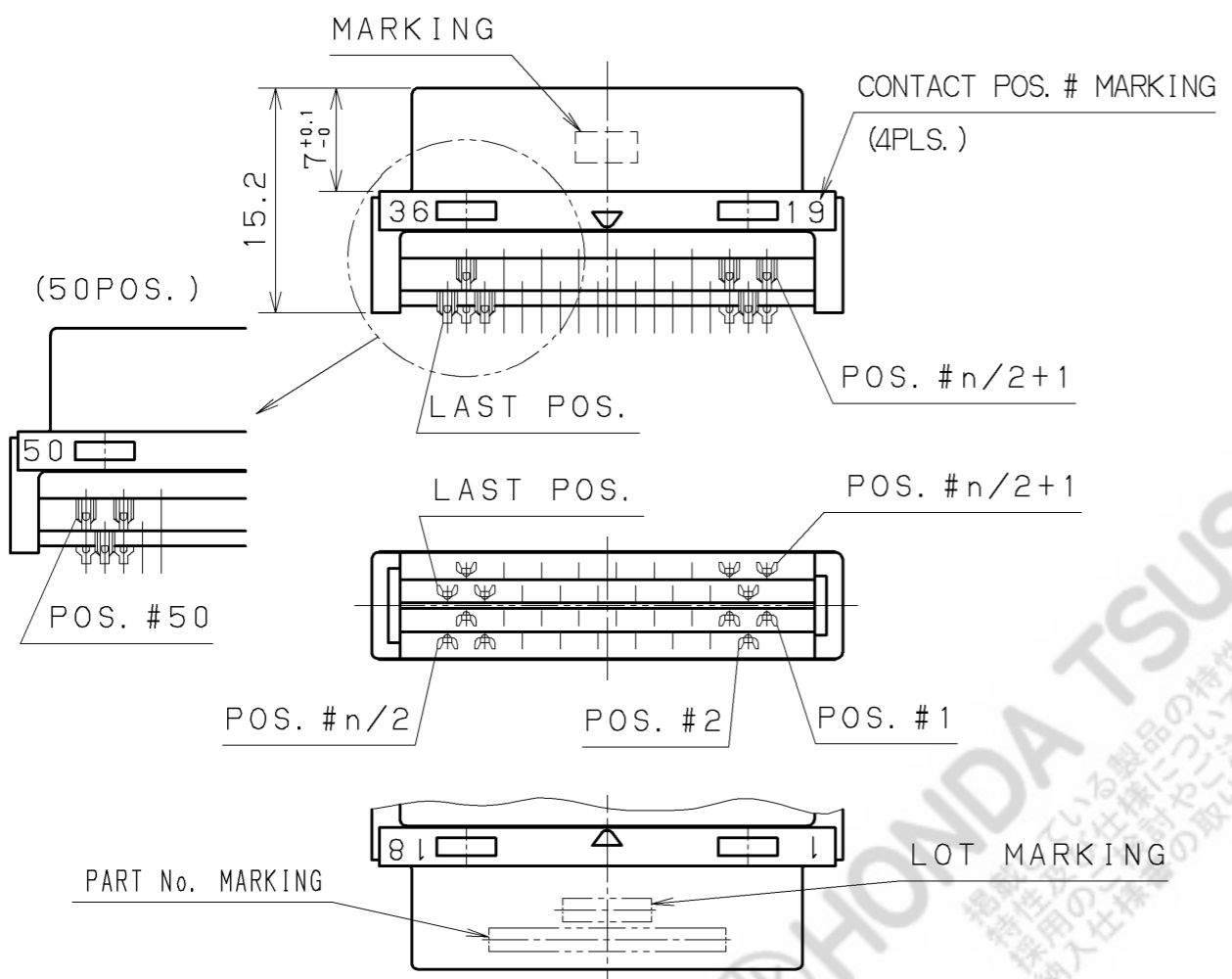


CONTACT DETAIL 5/1

NOTE 1. CONTACT PLATING
 CONTACT AREA: GOLD 0.2 μm MIN.
 TERMINATION AREA: GOLD 0.05 μm MIN.
 UNDERPLATING: NICKEL
 2. THE MATERIAL OF SPACER

96	PA9T (GF)
20~68	PPS (GF)
Pos.	MATERIAL



PART No.	No. OF POS.	A	B	C	D	CONTACT POS. # MARKING
PCR-E96FS+	96	69.9	61.61	1.27x(48-1)=59.69	64.51	1, 48, 49, 96
PCR-E68FS+	68	52.1	43.83	1.27x(34-1)=41.91	46.73	1, 34, 35, 68
PCR-E50FS+	50	40.7	32.4	1.27x(25-1)=30.48	35.3	1, 25, 26, 50
PCR-E36FS+	36	31.8	23.51	1.27x(18-1)=21.59	26.41	1, 18, 19, 36
PCR-E28FS+	28	26.7	18.43	1.27x(14-1)=16.51	21.33	1, 14, 15, 28
PCR-E20FS+	20	21.65	13.35	1.27x(10-1)=11.43	16.25	1, 10, 11, 20

LTR.	DATE	BY	REV.	DESCRIPT	No.	PART NAME	MATERIAL	QTY	FINISH	NOTE
					4	SPACER	SEE NOTE#2	1	—	UL94V-0 BLACK
					3	SHELL	STEEL	1	NICKEL PLATING	—
					2	INSULATOR	PBT (GF)	1	—	UL94V-0 BLACK
					1	CONTACT	PHOSPHOR BRONZE	No. OF POS.	SEE NOTE#1	—
DATE					SCALE	UNIT	3RD. A. P			
May. 21. 2004					2 / 1	mm (INCH)	HONDA TSUSHIN KOGYO CO., LTD.			
APP. DATE&REV.					NAME		1.27mm SPACING (RoHS) SOLDER TYPE FEMALE CONNECTOR			
DR.	DE.	CHK.	CHK.	APP.	PART NO.		PCR-E () FS+			
T. KAWANO	T. KAWANO	T. SOGO	K. HOMMA	K. SATO			REV			