

FB series

Coaxial Connectors

Outline

The FB series are coaxial connectors complying with the MIL standards for BNC type, JIS standards for CO2 and NTT standards for 3C type. Those can be easily inserted or extracted by Bayonet Neill Concelman (BNC), and then they are suitable for relatively small diameter coaxial cables, and used for small-sized measurement instruments, transmitters/receivers, etc.

Document Disclaimer

- When placing orders with us, minimum order quantities are set for every product.
- Be sure to contact us before starting preliminary design of PCBs using our connectors.
- The specifications and information shown in the catalog are subject to change without notice.

Specifications

Item	Specification
Contact resistance	3 milliohms or less
Insulation resistance	Over 500 megohms (at 500V DC)
Dielectric withstanding voltage	1500V AC for up to one minute
Characteristic impedance	50 ohms
Frequency range	DC to 4 GHz (up to 200 MHz at 75 ohm impedance)
Voltage standing wave ratio	1.3 or less (at above frequency range)
Connection method	BNC lock
For use with specific cable sizes	RG-55/U or 58/U RG-59/U or 62/U 2.5D-2V or 2.5C-2V 3D-2V or 3C-2V 5D-2V or 5C-2V 5D-2W or 5C-2W

Materials and Plating

Part Name	Material	Plating
Shell	Brass	Silver plate, Nickel plate
Outer surface of contact	Brass	Silver plate
Center contact (male)	Brass	Silver plate, Gold plate
Center contact (female)	Beryllium	Silver plate, Gold plate
Insulator	Fluoride resin	–
Packing	Silicone rubber	–

Cable Assemblies

Please contact us for details.

Product List



Straight plug
 FB-SPM1A+,FB-SPM1B+,FB-SPM1C+
 FB-SPM1D+,FB-SPM1E+,FB-SPM1F+
 FB-SPM2A+,FB-SPM2B+
K-8
 FB series...6



Straight plug
 FB-SPM8A+
 FB-SPM8B+
K-8
 FB series...6



Straight plug
 FB-SPM4A+
 FB-SPM4B+
K-8
 FB series...6



Straight plug
 FB-SPM7A+
 FB-SPM7B+
K-8
 FB series...6



Straight jack
 FB-SPF1A+,FB-SPF1B+,FB-SPF1C+
 FB-SPF1D+,FB-SPF1E+,FB-SPF1F+
 FB-SPF2A+,FB-SPF2B+
K-9
 FB series...7



Panel-mounted jack
 FB-CRF1A+,FB-CRF1C+,FB-CRF1D+
 FB-CRF1E+,FB-CRF1F+,FB-CRF1G+
 FB-CRF2A+,FB-CRF2C+
K-9
 FB series...7



Panel-mounted jack
 FB-CRF5A+
 FB-CRF5B+
K-9
 FB series...7



Panel-mounted jack
 FB-CRF3A+
 FB-CRF3B+
K-9
 FB series...7



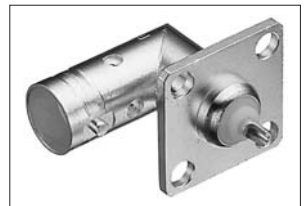
Straight receptacle
 FB-SRF3A+
 FB-SRF3B+
 FB-SRF3C+
K-10
 FB series...8



Straight receptacle
 FB-SRF8A+
 FB-SRF8B+
K-10
 FB series...8



Straight receptacle
 FB-SRF4A+
K-10
 FB series...8



Right-angle receptacle
 FB-LRF1A+
 FB-LRF1B+
 FB-LRF2A+
K-10
 FB series...8



Special receptacle
 FB-SRF16A+
K-11
 FB series...9



Special receptacle
 FB-SRF18A+
K-11
 FB series...9



Special receptacle
 FB-SRF19A+
K-11
 FB series...9



Right-angle adaptor
 FB-LA1A+
 FB-LA1B+
K-12
 FB series...10



Straight adaptor
 FB-SA2A+
 FB-SA2B+
 FB-SA2C+
K-12
 FB series...10



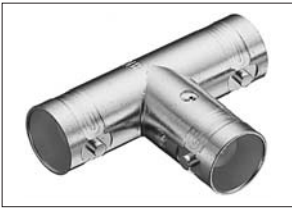
Straight adaptor
 FB-SA1A+
 FB-SA1B+
 FB-SA1C+
K-12
 FB series...10



Panel-Mounted adaptor
 FB-PA1A+
 FB-PA1B+
 FB-PA1C+
K-12
 FB series...10



T-type adaptor
 FB-TA1A+
 FB-TA1B+
 FB-TA1D+
K-13
 FB series...11



T-type adaptor
FB-TA2A+

K-13
FB series...11



Cap
FB-DC1A+
FB-DC1B+
FB-DC1C+

K-14
FB series...12



Molded cap
FB-DC5B

K-14
FB series...12

FB Series of Straight Plug


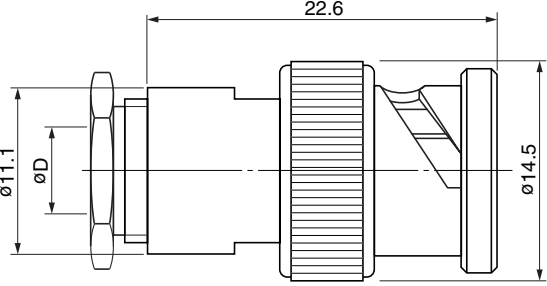

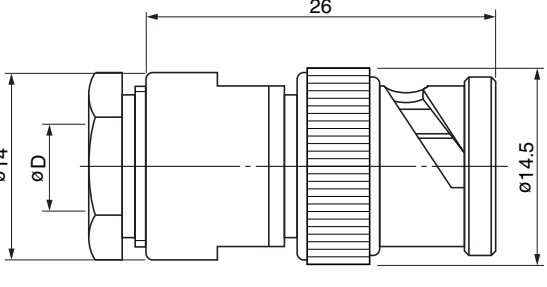

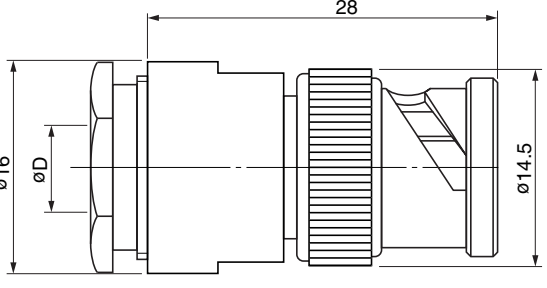

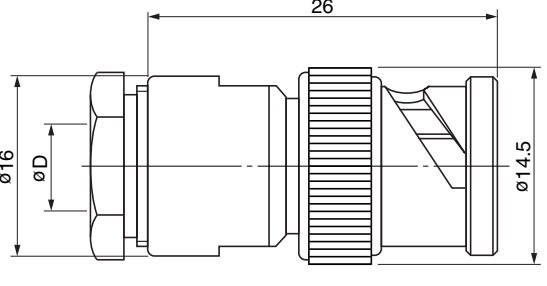
Coaxial connector

JIS standard

MIL standard

NTT standard

RoHS

		<p>Straight plug</p> <table border="1"> <thead> <tr> <th>Name</th> <th>Part No.</th> <th>For use with cable</th> <th>øD</th> </tr> </thead> <tbody> <tr> <td>BNC-P-2.5</td> <td>FB-SPM1E+</td> <td>2.5D-2V, 2.5C-2V</td> <td>4.8</td> </tr> <tr> <td>BNC-P-3</td> <td>FB-SPM1D+</td> <td>3D-2V, 3C-2V</td> <td>6.3</td> </tr> <tr> <td>BNC-P-55U</td> <td>FB-SPM1F+</td> <td>RG-55/U, RG-58/U</td> <td>5.4</td> </tr> <tr> <td>BNC-P-59U</td> <td>FB-SPM2B+</td> <td>RG-59/U, RG-62/U</td> <td>6.55</td> </tr> <tr> <td>UG-88/U</td> <td>FB-SPM1A+</td> <td>RG-55, RG-58/U</td> <td>5.4</td> </tr> <tr> <td>UG-260/U</td> <td>FB-SPM2A+</td> <td>RG-59, RG-62/U</td> <td>6.55</td> </tr> <tr> <td>3CV-P</td> <td>FB-SPM1B+</td> <td>3D-2V, 3C-2V</td> <td>6.3</td> </tr> <tr> <td>3CA-P</td> <td>FB-SPM1C+</td> <td>RG-55/U, RG-58/U</td> <td>5.4</td> </tr> </tbody> </table>	Name	Part No.	For use with cable	øD	BNC-P-2.5	FB-SPM1E+	2.5D-2V, 2.5C-2V	4.8	BNC-P-3	FB-SPM1D+	3D-2V, 3C-2V	6.3	BNC-P-55U	FB-SPM1F+	RG-55/U, RG-58/U	5.4	BNC-P-59U	FB-SPM2B+	RG-59/U, RG-62/U	6.55	UG-88/U	FB-SPM1A+	RG-55, RG-58/U	5.4	UG-260/U	FB-SPM2A+	RG-59, RG-62/U	6.55	3CV-P	FB-SPM1B+	3D-2V, 3C-2V	6.3	3CA-P	FB-SPM1C+	RG-55/U, RG-58/U	5.4
Name	Part No.	For use with cable	øD																																			
BNC-P-2.5	FB-SPM1E+	2.5D-2V, 2.5C-2V	4.8																																			
BNC-P-3	FB-SPM1D+	3D-2V, 3C-2V	6.3																																			
BNC-P-55U	FB-SPM1F+	RG-55/U, RG-58/U	5.4																																			
BNC-P-59U	FB-SPM2B+	RG-59/U, RG-62/U	6.55																																			
UG-88/U	FB-SPM1A+	RG-55, RG-58/U	5.4																																			
UG-260/U	FB-SPM2A+	RG-59, RG-62/U	6.55																																			
3CV-P	FB-SPM1B+	3D-2V, 3C-2V	6.3																																			
3CA-P	FB-SPM1C+	RG-55/U, RG-58/U	5.4																																			
		<p>Straight plug</p> <table border="1"> <thead> <tr> <th>Name</th> <th>Part No.</th> <th>For use with cable</th> <th>øD</th> </tr> </thead> <tbody> <tr> <td>3CV-P2</td> <td>FB-SPM8A+</td> <td>3D-2V, 3C-2V</td> <td>6.3</td> </tr> <tr> <td>3CA-P2</td> <td>FB-SPM8B+</td> <td>RG-55/U, RG-58/U</td> <td>5.6</td> </tr> </tbody> </table>	Name	Part No.	For use with cable	øD	3CV-P2	FB-SPM8A+	3D-2V, 3C-2V	6.3	3CA-P2	FB-SPM8B+	RG-55/U, RG-58/U	5.6																								
Name	Part No.	For use with cable	øD																																			
3CV-P2	FB-SPM8A+	3D-2V, 3C-2V	6.3																																			
3CA-P2	FB-SPM8B+	RG-55/U, RG-58/U	5.6																																			
		<p>Straight plug</p> <table border="1"> <thead> <tr> <th>Name</th> <th>Part No.</th> <th>For use with cable</th> <th>øD</th> </tr> </thead> <tbody> <tr> <td>BNC-P-5</td> <td>FB-SPM4A+</td> <td>5D-2V, 5C-2V</td> <td>7.8</td> </tr> <tr> <td>BNC-P-5W</td> <td>FB-SPM4B+</td> <td>5D-2W, 5C-2W</td> <td>8.5</td> </tr> </tbody> </table>	Name	Part No.	For use with cable	øD	BNC-P-5	FB-SPM4A+	5D-2V, 5C-2V	7.8	BNC-P-5W	FB-SPM4B+	5D-2W, 5C-2W	8.5																								
Name	Part No.	For use with cable	øD																																			
BNC-P-5	FB-SPM4A+	5D-2V, 5C-2V	7.8																																			
BNC-P-5W	FB-SPM4B+	5D-2W, 5C-2W	8.5																																			
		<p>Straight plug</p> <table border="1"> <thead> <tr> <th>Name</th> <th>Part No.</th> <th>For use with cable</th> <th>øD</th> </tr> </thead> <tbody> <tr> <td>3CW-P</td> <td>FB-SPM7A+</td> <td>3C-2W</td> <td>7.1</td> </tr> <tr> <td>3CT-P</td> <td>FB-SPM7B+</td> <td>3C-2T</td> <td>8.0</td> </tr> </tbody> </table>	Name	Part No.	For use with cable	øD	3CW-P	FB-SPM7A+	3C-2W	7.1	3CT-P	FB-SPM7B+	3C-2T	8.0																								
Name	Part No.	For use with cable	øD																																			
3CW-P	FB-SPM7A+	3C-2W	7.1																																			
3CT-P	FB-SPM7B+	3C-2T	8.0																																			

FB Series of Straight and Panel Mounted Jack


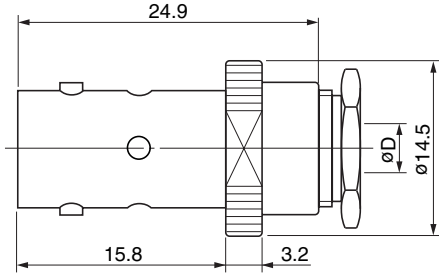

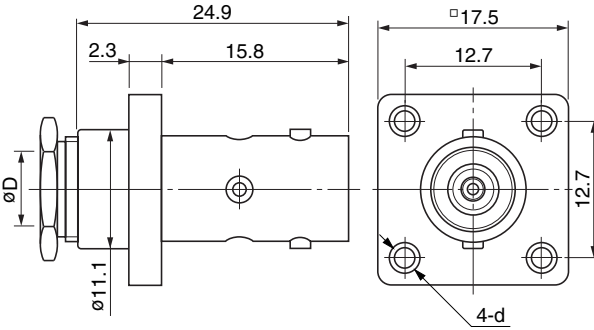

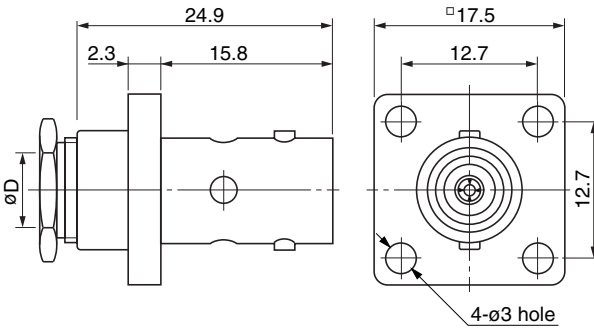

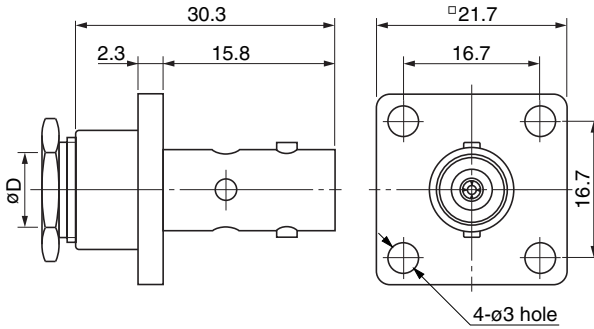
Coaxial connector

JIS standard

MIL standard

NTT standard


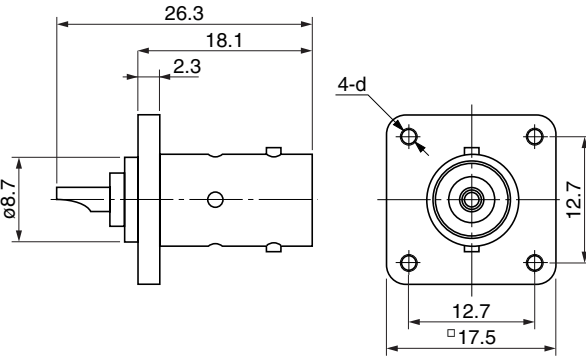

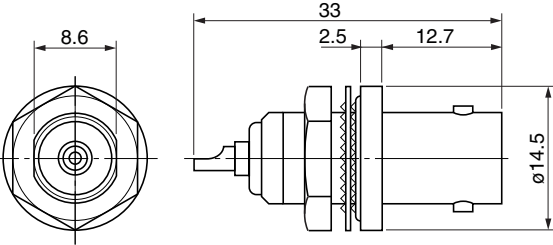

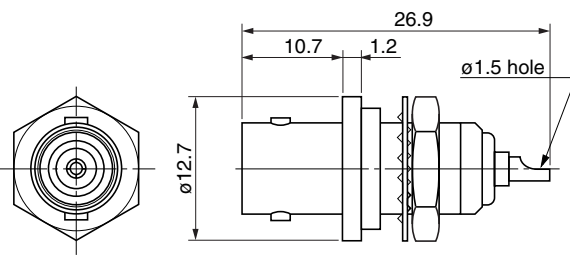

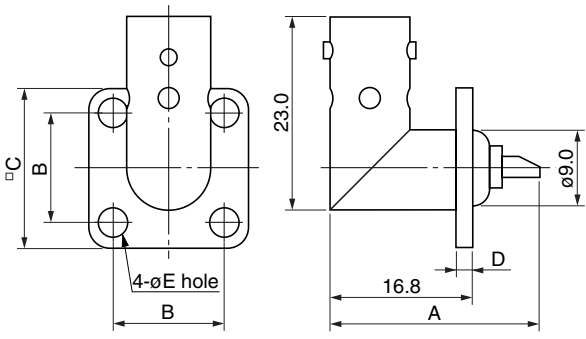
RoHS

		<p>Straight jack</p> <table border="1"> <thead> <tr> <th>Name</th> <th>Part No.</th> <th>For use with cable</th> <th>øD</th> </tr> </thead> <tbody> <tr> <td>BNC-J-2.5</td> <td>FB-SPF1F+</td> <td>2.5D-2V, 2.5C-2V</td> <td>4.8</td> </tr> <tr> <td>BNC-J-3</td> <td>FB-SPF1D+</td> <td>3D-2V, 3C-2V</td> <td>6.3</td> </tr> <tr> <td>BNC-J-55U</td> <td>FB-SPF1E+</td> <td>RG-55/U, RG-58/U</td> <td>5.4</td> </tr> <tr> <td>BNC-J-59U</td> <td>FB-SPF2B+</td> <td>RG-59/U, RG-62/U</td> <td>6.55</td> </tr> <tr> <td>UG-89/U</td> <td>FB-SPF1A+</td> <td>RG-55/U, RG-58/U</td> <td>5.4</td> </tr> <tr> <td>UG-261/U</td> <td>FB-SPF2A+</td> <td>RG-59/U, RG-62/U</td> <td>6.55</td> </tr> <tr> <td>3CV-J</td> <td>FB-SPF1B+</td> <td>3D-2V, 3C-2V</td> <td>6.3</td> </tr> <tr> <td>3CA-J</td> <td>FB-SPF1C+</td> <td>RG-55/U, RG-58/U</td> <td>5.4</td> </tr> </tbody> </table>	Name	Part No.	For use with cable	øD	BNC-J-2.5	FB-SPF1F+	2.5D-2V, 2.5C-2V	4.8	BNC-J-3	FB-SPF1D+	3D-2V, 3C-2V	6.3	BNC-J-55U	FB-SPF1E+	RG-55/U, RG-58/U	5.4	BNC-J-59U	FB-SPF2B+	RG-59/U, RG-62/U	6.55	UG-89/U	FB-SPF1A+	RG-55/U, RG-58/U	5.4	UG-261/U	FB-SPF2A+	RG-59/U, RG-62/U	6.55	3CV-J	FB-SPF1B+	3D-2V, 3C-2V	6.3	3CA-J	FB-SPF1C+	RG-55/U, RG-58/U	5.4				
Name	Part No.	For use with cable	øD																																							
BNC-J-2.5	FB-SPF1F+	2.5D-2V, 2.5C-2V	4.8																																							
BNC-J-3	FB-SPF1D+	3D-2V, 3C-2V	6.3																																							
BNC-J-55U	FB-SPF1E+	RG-55/U, RG-58/U	5.4																																							
BNC-J-59U	FB-SPF2B+	RG-59/U, RG-62/U	6.55																																							
UG-89/U	FB-SPF1A+	RG-55/U, RG-58/U	5.4																																							
UG-261/U	FB-SPF2A+	RG-59/U, RG-62/U	6.55																																							
3CV-J	FB-SPF1B+	3D-2V, 3C-2V	6.3																																							
3CA-J	FB-SPF1C+	RG-55/U, RG-58/U	5.4																																							
		<p>Panel-mounted jack</p> <table border="1"> <thead> <tr> <th>Name</th> <th>Part No.</th> <th>For use with cable</th> <th>øD</th> <th>d</th> </tr> </thead> <tbody> <tr> <td>BNC-PJ-2.5</td> <td>FB-CRF1G+</td> <td>2.5D-2V, 2.5C-2V</td> <td>4.8</td> <td rowspan="3">M3</td> </tr> <tr> <td>BNC-PJ-3</td> <td>FB-CRF1E+</td> <td>3D-2V, 3C-2V</td> <td>6.3</td> </tr> <tr> <td>BNC-PJ-55U</td> <td>FB-CRF1F+</td> <td>RG-55/U, RG-58/U</td> <td>5.4</td> </tr> <tr> <td>BNC-PJ-59U</td> <td>FB-CRF2C+</td> <td>RG-59/U, RG-62/U</td> <td>6.55</td> <td rowspan="2">No.3-56UNF-2B</td> </tr> <tr> <td>UG-262/U</td> <td>FB-CRF2A+</td> <td>RG-59/U, RG-62/U</td> <td>6.55</td> </tr> <tr> <td>UG-291/U</td> <td>FB-CRF1A+</td> <td>RG-55/U, RG-58/U</td> <td>5.4</td> <td rowspan="3">M3</td> </tr> <tr> <td>3CV-PJ</td> <td>FB-CRF1C+</td> <td>3D-2V, 3C-2V</td> <td>6.3</td> </tr> <tr> <td>3CA-PJ</td> <td>FB-CRF1D+</td> <td>RG-55/U, RG-58/U</td> <td>5.4</td> </tr> </tbody> </table>	Name	Part No.	For use with cable	øD	d	BNC-PJ-2.5	FB-CRF1G+	2.5D-2V, 2.5C-2V	4.8	M3	BNC-PJ-3	FB-CRF1E+	3D-2V, 3C-2V	6.3	BNC-PJ-55U	FB-CRF1F+	RG-55/U, RG-58/U	5.4	BNC-PJ-59U	FB-CRF2C+	RG-59/U, RG-62/U	6.55	No.3-56UNF-2B	UG-262/U	FB-CRF2A+	RG-59/U, RG-62/U	6.55	UG-291/U	FB-CRF1A+	RG-55/U, RG-58/U	5.4	M3	3CV-PJ	FB-CRF1C+	3D-2V, 3C-2V	6.3	3CA-PJ	FB-CRF1D+	RG-55/U, RG-58/U	5.4
Name	Part No.	For use with cable	øD	d																																						
BNC-PJ-2.5	FB-CRF1G+	2.5D-2V, 2.5C-2V	4.8	M3																																						
BNC-PJ-3	FB-CRF1E+	3D-2V, 3C-2V	6.3																																							
BNC-PJ-55U	FB-CRF1F+	RG-55/U, RG-58/U	5.4																																							
BNC-PJ-59U	FB-CRF2C+	RG-59/U, RG-62/U	6.55	No.3-56UNF-2B																																						
UG-262/U	FB-CRF2A+	RG-59/U, RG-62/U	6.55																																							
UG-291/U	FB-CRF1A+	RG-55/U, RG-58/U	5.4	M3																																						
3CV-PJ	FB-CRF1C+	3D-2V, 3C-2V	6.3																																							
3CA-PJ	FB-CRF1D+	RG-55/U, RG-58/U	5.4																																							
		<p>Panel-mounted jack</p> <table border="1"> <thead> <tr> <th>Name</th> <th>Part No.</th> <th>For use with cable</th> <th>øD</th> </tr> </thead> <tbody> <tr> <td>3CV-PJ2</td> <td>FB-CRF5A+</td> <td>3D-2V, 3C-2V</td> <td>6.3</td> </tr> <tr> <td>3CA-PJ2</td> <td>FB-CRF5B+</td> <td>RG-55/U, RG-58/U</td> <td>5.4</td> </tr> </tbody> </table>	Name	Part No.	For use with cable	øD	3CV-PJ2	FB-CRF5A+	3D-2V, 3C-2V	6.3	3CA-PJ2	FB-CRF5B+	RG-55/U, RG-58/U	5.4																												
Name	Part No.	For use with cable	øD																																							
3CV-PJ2	FB-CRF5A+	3D-2V, 3C-2V	6.3																																							
3CA-PJ2	FB-CRF5B+	RG-55/U, RG-58/U	5.4																																							
		<p>Panel-mounted jack</p> <table border="1"> <thead> <tr> <th>Name</th> <th>Part No.</th> <th>For use with cable</th> <th>øD</th> </tr> </thead> <tbody> <tr> <td>BNC-PJ-5</td> <td>FB-CRF3A+</td> <td>5D-2V, 5C-2V</td> <td>7.8</td> </tr> <tr> <td>BNC-PJ-5W</td> <td>FB-CRF3B+</td> <td>5D-2V, 5C-2W</td> <td>8.5</td> </tr> </tbody> </table>	Name	Part No.	For use with cable	øD	BNC-PJ-5	FB-CRF3A+	5D-2V, 5C-2V	7.8	BNC-PJ-5W	FB-CRF3B+	5D-2V, 5C-2W	8.5																												
Name	Part No.	For use with cable	øD																																							
BNC-PJ-5	FB-CRF3A+	5D-2V, 5C-2V	7.8																																							
BNC-PJ-5W	FB-CRF3B+	5D-2V, 5C-2W	8.5																																							

FB Series of Straight and Right-angle Receptacle

- Coaxial connector
- JIS standard
- MIL standard
- NTT standard

RoHS

		<p>Straight receptacle</p> <table border="1" style="width: 100%; border-collapse: collapse;"> <thead> <tr> <th>Name</th> <th>Part No.</th> <th>d</th> </tr> </thead> <tbody> <tr> <td>UG-290/U</td> <td>FB-SRF3A+</td> <td>No.3-56UNF-2B</td> </tr> <tr> <td>3C-R</td> <td>FB-SRF3B+</td> <td rowspan="2">M3</td> </tr> <tr> <td>BNC-R</td> <td>FB-SRF3C+</td> </tr> </tbody> </table>	Name	Part No.	d	UG-290/U	FB-SRF3A+	No.3-56UNF-2B	3C-R	FB-SRF3B+	M3	BNC-R	FB-SRF3C+												
Name	Part No.	d																							
UG-290/U	FB-SRF3A+	No.3-56UNF-2B																							
3C-R	FB-SRF3B+	M3																							
BNC-R	FB-SRF3C+																								
		<p>Straight receptacle</p> <table border="1" style="width: 100%; border-collapse: collapse;"> <thead> <tr> <th>Name</th> <th>Part No.</th> <th>Remarks</th> </tr> </thead> <tbody> <tr> <td>UG-657/U</td> <td>FB-SRF8A+</td> <td>No lug terminal is available.</td> </tr> <tr> <td>UG-657/U with grounding lug</td> <td>FB-SRF8B+</td> <td>A lug terminal is available.</td> </tr> </tbody> </table>	Name	Part No.	Remarks	UG-657/U	FB-SRF8A+	No lug terminal is available.	UG-657/U with grounding lug	FB-SRF8B+	A lug terminal is available.														
Name	Part No.	Remarks																							
UG-657/U	FB-SRF8A+	No lug terminal is available.																							
UG-657/U with grounding lug	FB-SRF8B+	A lug terminal is available.																							
		<p>Straight receptacle</p> <table border="1" style="width: 100%; border-collapse: collapse;"> <thead> <tr> <th>Name</th> <th>Part No.</th> </tr> </thead> <tbody> <tr> <td>UG-625B/U</td> <td>FB-SRF4A+</td> </tr> </tbody> </table>	Name	Part No.	UG-625B/U	FB-SRF4A+																			
Name	Part No.																								
UG-625B/U	FB-SRF4A+																								
		<p>Right-angle receptacle</p> <table border="1" style="width: 100%; border-collapse: collapse;"> <thead> <tr> <th>Name</th> <th>Part No.</th> <th>A</th> <th>B</th> <th>C</th> <th>D</th> <th>E</th> </tr> </thead> <tbody> <tr> <td>3C-LR</td> <td>FB-LRF1A+</td> <td rowspan="2">23.0</td> <td rowspan="2">12.7</td> <td rowspan="2">17.5</td> <td rowspan="2">2.3</td> <td rowspan="2">3</td> </tr> <tr> <td>BNC-LR</td> <td>FB-LRF1B+</td> </tr> <tr> <td>UG-535/U</td> <td>FB-LRF2A+</td> <td>24.7</td> <td>13.5</td> <td>19.0</td> <td>1.4</td> <td>3.5</td> </tr> </tbody> </table>	Name	Part No.	A	B	C	D	E	3C-LR	FB-LRF1A+	23.0	12.7	17.5	2.3	3	BNC-LR	FB-LRF1B+	UG-535/U	FB-LRF2A+	24.7	13.5	19.0	1.4	3.5
Name	Part No.	A	B	C	D	E																			
3C-LR	FB-LRF1A+	23.0	12.7	17.5	2.3	3																			
BNC-LR	FB-LRF1B+																								
UG-535/U	FB-LRF2A+	24.7	13.5	19.0	1.4	3.5																			

FB Series of Special Receptacle


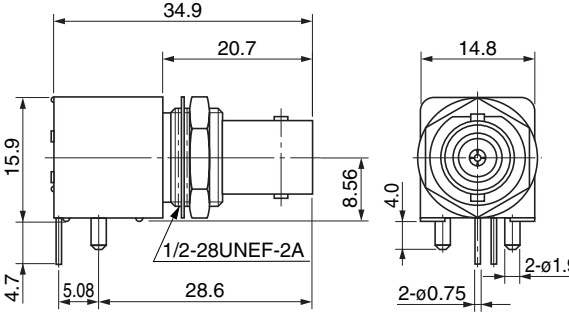

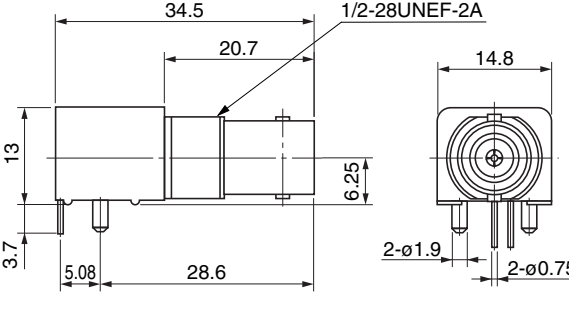

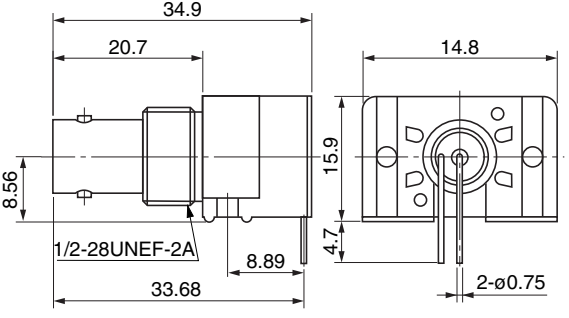
Coaxial connector

JIS standard

MIL standard

NTT standard


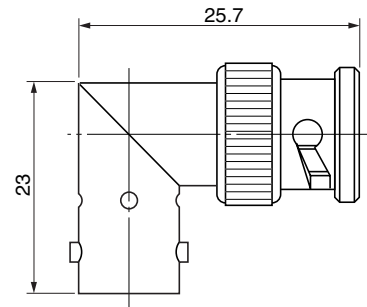

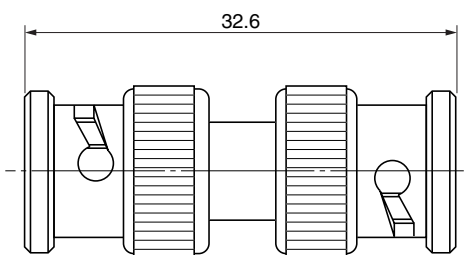

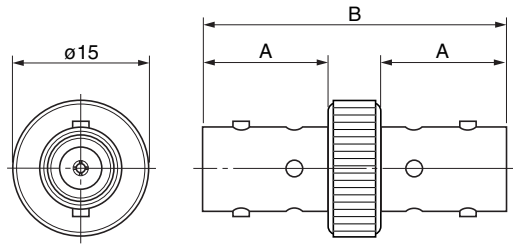

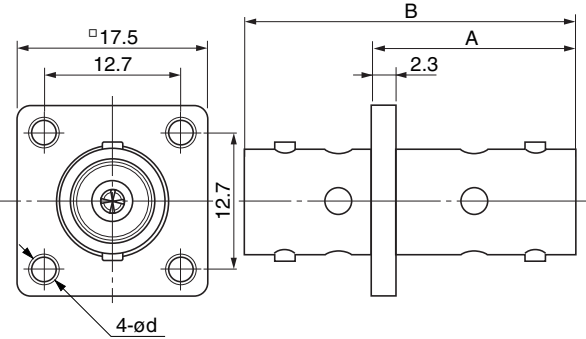
RoHS

		<p>Special receptacle</p> <p>Part No. FB-SRF16A+</p>
		<p>Special receptacle</p> <p>Part No. FB-SRF18A+</p>
		<p>Special receptacle</p> <p>Part No. FB-SRF19A+</p>

FB Series of Right-angle, Straight, and Panel-Mounted Adaptor

- Coaxial connector
- JIS standard
- MIL standard
- NTT standard

RoHS

		<p>Right-angle adaptor</p> <table border="1" style="width: 100%; border-collapse: collapse;"> <thead> <tr> <th style="text-align: left;">Name</th> <th style="text-align: left;">Part No.</th> </tr> </thead> <tbody> <tr> <td>UG-306/U</td> <td>FB-LA1A+</td> </tr> <tr> <td>BNC-LA-PJ</td> <td>FB-LA1B+</td> </tr> </tbody> </table>	Name	Part No.	UG-306/U	FB-LA1A+	BNC-LA-PJ	FB-LA1B+														
Name	Part No.																					
UG-306/U	FB-LA1A+																					
BNC-LA-PJ	FB-LA1B+																					
		<p>Straight adaptor</p> <table border="1" style="width: 100%; border-collapse: collapse;"> <thead> <tr> <th style="text-align: left;">Name</th> <th style="text-align: left;">Part No.</th> </tr> </thead> <tbody> <tr> <td>UG-491/U</td> <td>FB-SA2A+</td> </tr> <tr> <td>3C-A-PP</td> <td>FB-SA2B+</td> </tr> <tr> <td>BNC-A-PP</td> <td>FB-SA2C+</td> </tr> </tbody> </table>	Name	Part No.	UG-491/U	FB-SA2A+	3C-A-PP	FB-SA2B+	BNC-A-PP	FB-SA2C+												
Name	Part No.																					
UG-491/U	FB-SA2A+																					
3C-A-PP	FB-SA2B+																					
BNC-A-PP	FB-SA2C+																					
		<p>Straight adaptor</p> <table border="1" style="width: 100%; border-collapse: collapse;"> <thead> <tr> <th style="text-align: left;">Name</th> <th style="text-align: left;">Part No.</th> <th style="text-align: center;">A</th> <th style="text-align: center;">B</th> </tr> </thead> <tbody> <tr> <td>3C-A</td> <td>FB-SA1A+</td> <td style="text-align: center;">14.0</td> <td style="text-align: center;">34.0</td> </tr> <tr> <td>BNC-A-JJ</td> <td>FB-SA1B+</td> <td style="text-align: center;">14.0</td> <td style="text-align: center;">34.0</td> </tr> <tr> <td>UG-914/U</td> <td>FB-SA1C+</td> <td style="text-align: center;">13.5</td> <td style="text-align: center;">32.5</td> </tr> </tbody> </table>	Name	Part No.	A	B	3C-A	FB-SA1A+	14.0	34.0	BNC-A-JJ	FB-SA1B+	14.0	34.0	UG-914/U	FB-SA1C+	13.5	32.5				
Name	Part No.	A	B																			
3C-A	FB-SA1A+	14.0	34.0																			
BNC-A-JJ	FB-SA1B+	14.0	34.0																			
UG-914/U	FB-SA1C+	13.5	32.5																			
		<p>Panel-Mounted adaptor</p> <table border="1" style="width: 100%; border-collapse: collapse;"> <thead> <tr> <th style="text-align: left;">Name</th> <th style="text-align: left;">Part No.</th> <th style="text-align: center;">A</th> <th style="text-align: center;">B</th> <th style="text-align: center;">ød</th> </tr> </thead> <tbody> <tr> <td>UG-414/U</td> <td>FB-PA1A+</td> <td style="text-align: center;">19.85</td> <td style="text-align: center;">32.54</td> <td style="text-align: center;">No.3-56UNF-2B</td> </tr> <tr> <td>3C-PA</td> <td>FB-PA1B+</td> <td style="text-align: center;">18.15</td> <td style="text-align: center;">34.0</td> <td style="text-align: center;">3</td> </tr> <tr> <td>BNC-PA-JJ</td> <td>FB-PA1C+</td> <td style="text-align: center;">18.15</td> <td style="text-align: center;">34.0</td> <td style="text-align: center;">3</td> </tr> </tbody> </table>	Name	Part No.	A	B	ød	UG-414/U	FB-PA1A+	19.85	32.54	No.3-56UNF-2B	3C-PA	FB-PA1B+	18.15	34.0	3	BNC-PA-JJ	FB-PA1C+	18.15	34.0	3
Name	Part No.	A	B	ød																		
UG-414/U	FB-PA1A+	19.85	32.54	No.3-56UNF-2B																		
3C-PA	FB-PA1B+	18.15	34.0	3																		
BNC-PA-JJ	FB-PA1C+	18.15	34.0	3																		

FB Series of T-type Adaptor


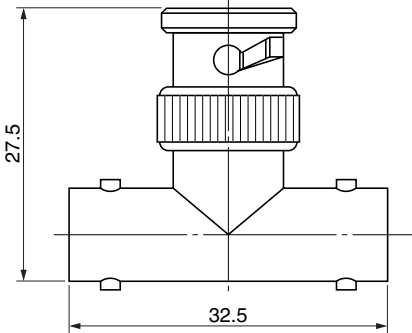

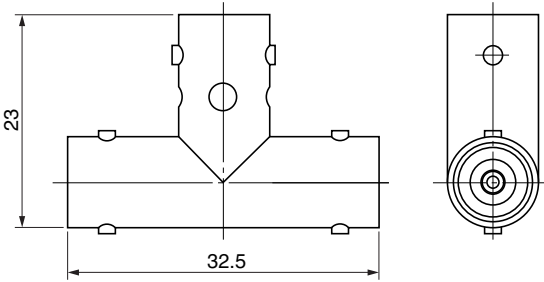
Coaxial connector

JIS standard

MIL standard

NTT standard

RoHS

		<p>T-type adaptor</p> <table border="1"> <thead> <tr> <th>Name</th> <th>Part No.</th> </tr> </thead> <tbody> <tr> <td>UG-274/U</td> <td>FB-TA1A+</td> </tr> <tr> <td>BNC-TA-JPJ</td> <td>FB-TA1B+</td> </tr> <tr> <td>3C-TA-JPJ</td> <td>FB-TA1D+</td> </tr> </tbody> </table>	Name	Part No.	UG-274/U	FB-TA1A+	BNC-TA-JPJ	FB-TA1B+	3C-TA-JPJ	FB-TA1D+
Name	Part No.									
UG-274/U	FB-TA1A+									
BNC-TA-JPJ	FB-TA1B+									
3C-TA-JPJ	FB-TA1D+									
		<p>T-type adaptor</p> <table border="1"> <thead> <tr> <th>Name</th> <th>Part No.</th> </tr> </thead> <tbody> <tr> <td>BNC-TA-JJJ</td> <td>FB-TA2A+</td> </tr> </tbody> </table>	Name	Part No.	BNC-TA-JJJ	FB-TA2A+				
Name	Part No.									
BNC-TA-JJJ	FB-TA2A+									

FB Series of Cap and Molded Cap


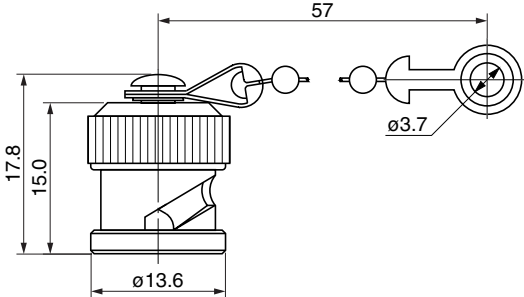

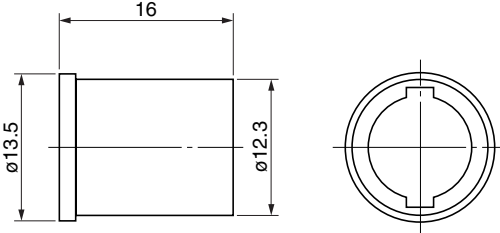
Coaxial connector

JIS standard

MIL standard

NTT standard

RoHS

		<p>Cap</p> <table border="1"> <thead> <tr> <th>Name</th> <th>Part No.</th> </tr> </thead> <tbody> <tr> <td>CW-123A/U</td> <td>FB-DC1A+</td> </tr> <tr> <td>3C-C</td> <td>FB-DC1B+</td> </tr> <tr> <td>BNC-C</td> <td>FB-DC1C+</td> </tr> </tbody> </table>	Name	Part No.	CW-123A/U	FB-DC1A+	3C-C	FB-DC1B+	BNC-C	FB-DC1C+
Name	Part No.									
CW-123A/U	FB-DC1A+									
3C-C	FB-DC1B+									
BNC-C	FB-DC1C+									
		<p>Molded cap</p> <table border="1"> <thead> <tr> <th>Part No.</th> </tr> </thead> <tbody> <tr> <td>FB-DC5B</td> </tr> </tbody> </table>	Part No.	FB-DC5B						
Part No.										
FB-DC5B										