

FG-Y series

Coaxial Connectors

Outline

The FG-Y series has been mainly designed for a combination of receptacle and right-angle plug, and are lower profile than conventional SMB or CO5 type connectors, based on the SMB type of MIL standard and the CO5 type of JIS standard. It finds extensive applications in such fields as wired and wireless communications equipment, broadcast equipment, measuring instruments.

Features

- Two types of contact openings are available: a Honda original contact opening split lengthwise into halves with outstanding resistance to twisting and vibration, and a MIL standard contact opening split lengthwise into quarters.
- Since the Honda original contact opening has a structure which presses the inserted contact inward with a ring spring, the opening gives stable contact, outstanding resistance to play due to external forces from left and right direction, outstanding resistance to vibration, and minimal danger of generating noise.
- Since the MIL standard contact opening split lengthwise into quarters mates with a contact, the opening gives outstanding resistance to vibration and impact, as well as low as insertion force.

Document Disclaimer

- When placing orders with us, minimum order quantities are set for every product.
- Be sure to contact us before starting preliminary design of PCBs using our connectors.
- The specifications and information shown in the catalog are subject to change without notice.

Specifications

Item	Specification
Contact resistance	6 milliohms or less
Insulation resistance	Over 500 megohms (at 500V DC)
Dielectric withstanding voltage	500V AC for up to one minute
Characteristic impedance	50 ohms
Frequency range	DC to 2 GHz (or optionally DC to 3 GHz)
Voltage standing wave ratio (VSWR)	1.2 or less at above frequency range
Connection method	Push-on lock (Simple locking mechanism)
For use with specific cable sizes	1.5D-QEV (Fujikura) 1.5D-QEW (Fujikura) 0.8D-QEV (Fujikura) 0.8D-QEW (Fujikura)

Materials and Plating

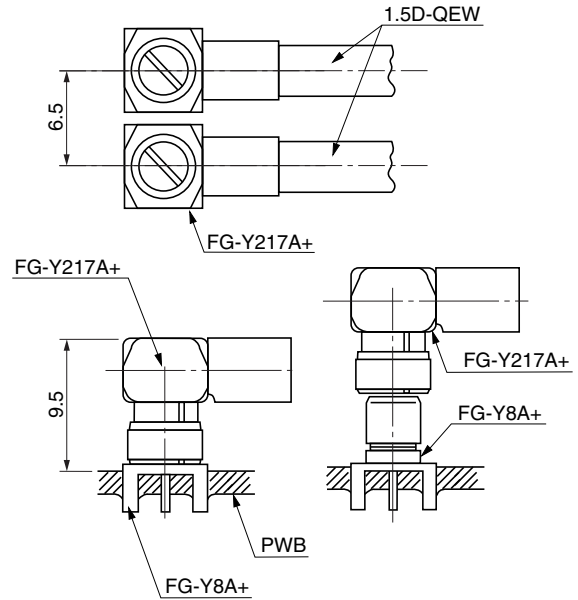
Part Name	Material	Plating
Shell	Brass	Nickel plate
Center contact (male)	Beryllium copper or phosphor bronze	Gold plate
Center contact (female)	Beryllium copper	Gold plate
Ring spring	Beryllium copper	Nickel plate
Insulator	Fluoride resin	-

Cable Assemblies

Cable mounted connection is performed by IDC method using a specialized tool. Further, these connectors are available pre-assembled with the cables and supplied by HONDA. Please contact us for details.

Mounting-Plugs-on-PCB Dimensions are for Reference Purposes

For mounting on PCBs, the right-angle plug can be installed within 9.5 mm or less in height. The plug is attachable or detachable within 14 mm in height. Further for mounting plugs in parallel, since the plugs can be mounted at least 6.5 mm pitch, these plugs are suitable for high-density mounting.



Cautions for Handling

Since our coaxial connectors are low profile, these dimensions are partially different from the dimensions of the MIL or JIS standards, and thus it may be a cause for our connector to not mate with an SMB or CO5 type connector made by other companies.

Product List



Straight plug
FG-Y215A+
FG-Y245A+

K-24
FG-Y series...4



Straight plug
FG-Y195A+

K-24
FG-Y series...4



Right-angle plug
FG-Y217A+
FG-Y227A+

K-24
FG-Y series...4



Right-angle plug
FG-Y237A+
FG-Y237B+

K-24
FG-Y series...4



Right-angle plug (Press type)
FG-Y67A+,FG-Y87A+
FG-Y97A+

K-25
FG-Y series...5



Straight receptacle for PCB
FG-Y8A+
FG-Y208A+

K-26
FG-Y series...6



High profile straight receptacle for PCB
FG-Y48A+

K-26
FG-Y series...6



Right-angle receptacle for PCB
FG-Y198A+
FG-Y218A+

K-26
FG-Y series...6



Bulkhead receptacle
FG-Y59A+

K-26
FG-Y series...6



FGY (J) - SMA (J) panel-mounted convertible adaptor
FG-Y43A+

K-27
FG-Y series...7



FGY(J)-SMA(J) convertible adaptor
FG-SAH2+

K-27
FG-Y series...7



FGY(P)-SMA(J) convertible adaptor
FG-SAH3+

K-27
FG-Y series...7


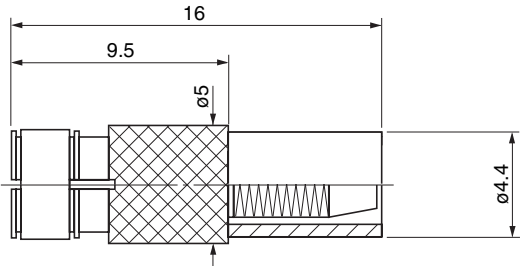

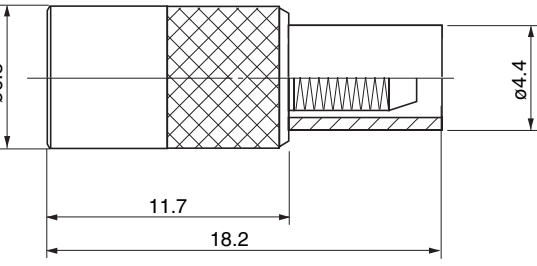

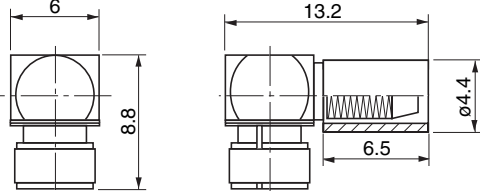

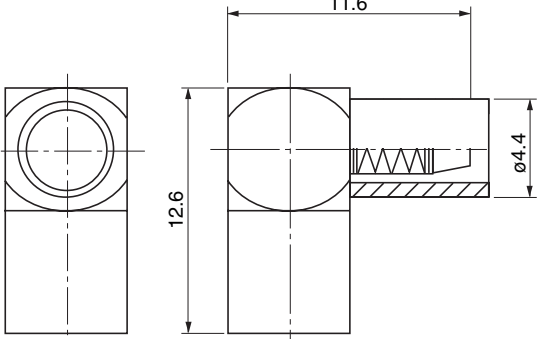


FGY(J)-BNC(J) convertible bulkhead adaptor
FG-Y105A+

K-27
FG-Y series...7


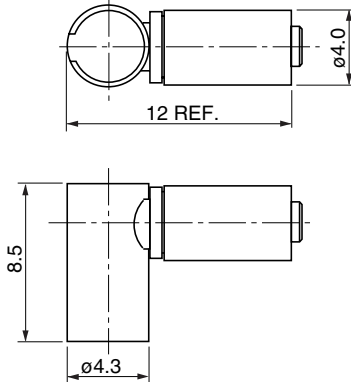
FG-Y Series of Plug

RoHS

		<p>Straight plug</p> <table border="1" data-bbox="1052 372 1437 463"> <thead> <tr> <th>Part No.</th> <th>For use with cable</th> <th>Opening</th> </tr> </thead> <tbody> <tr> <td>FG-Y215A+</td> <td>1.5D-QEV or</td> <td rowspan="2">Quartered lengthwise</td> </tr> <tr> <td>FG-Y245A+</td> <td>1.5D-QEW</td> </tr> </tbody> </table> <p>• The shell of FG-Y215A is gold plated.</p>	Part No.	For use with cable	Opening	FG-Y215A+	1.5D-QEV or	Quartered lengthwise	FG-Y245A+	1.5D-QEW	
Part No.	For use with cable	Opening									
FG-Y215A+	1.5D-QEV or	Quartered lengthwise									
FG-Y245A+	1.5D-QEW										
		<p>Straight plug</p> <table border="1" data-bbox="1052 798 1437 889"> <thead> <tr> <th>Part No.</th> <th>For use with cable</th> <th>Opening</th> </tr> </thead> <tbody> <tr> <td>FG-Y195A+</td> <td>1.5D-QEV or 1.5D-QEW</td> <td>Quartered lengthwise with cover</td> </tr> </tbody> </table>	Part No.	For use with cable	Opening	FG-Y195A+	1.5D-QEV or 1.5D-QEW	Quartered lengthwise with cover			
Part No.	For use with cable	Opening									
FG-Y195A+	1.5D-QEV or 1.5D-QEW	Quartered lengthwise with cover									
		<p>Right-angle plug</p> <table border="1" data-bbox="1052 1223 1437 1315"> <thead> <tr> <th>Part No.</th> <th>For use with cable</th> <th>Opening</th> </tr> </thead> <tbody> <tr> <td>FG-Y217A+</td> <td>1.5D-QEV or</td> <td>Halved lengthwise</td> </tr> <tr> <td>FG-Y227A+</td> <td>1.5D-QEW</td> <td>Quartered lengthwise</td> </tr> </tbody> </table>	Part No.	For use with cable	Opening	FG-Y217A+	1.5D-QEV or	Halved lengthwise	FG-Y227A+	1.5D-QEW	Quartered lengthwise
Part No.	For use with cable	Opening									
FG-Y217A+	1.5D-QEV or	Halved lengthwise									
FG-Y227A+	1.5D-QEW	Quartered lengthwise									
		<p>Right-angle plug</p> <table border="1" data-bbox="1052 1649 1437 1740"> <thead> <tr> <th>Part No.</th> <th>For use with cable</th> <th>Opening</th> </tr> </thead> <tbody> <tr> <td>FG-Y237A+</td> <td>1.5D-QEV or</td> <td rowspan="2">Quartered lengthwise with cover</td> </tr> <tr> <td>FG-Y237B+</td> <td>1.5D-QEW</td> </tr> </tbody> </table> <p>• FG-Y237B is gold plated</p>	Part No.	For use with cable	Opening	FG-Y237A+	1.5D-QEV or	Quartered lengthwise with cover	FG-Y237B+	1.5D-QEW	
Part No.	For use with cable	Opening									
FG-Y237A+	1.5D-QEV or	Quartered lengthwise with cover									
FG-Y237B+	1.5D-QEW										

FG-Y Series of Plug


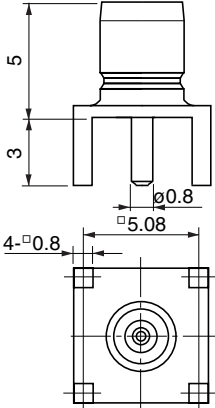

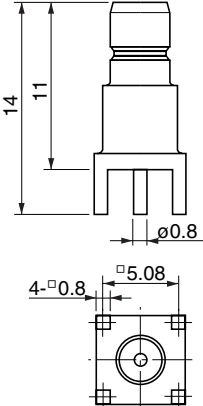
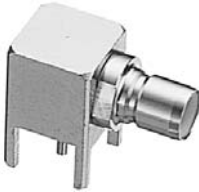
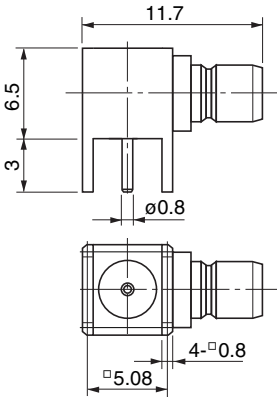

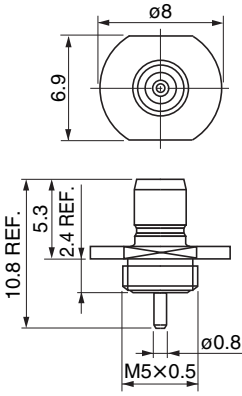
RoHS

		<p>Right-angle plug (Press type)</p> <table border="1"> <thead> <tr> <th>Part No.</th> <th>For use with cable</th> <th>Opening</th> </tr> </thead> <tbody> <tr> <td>FG-Y67A+</td> <td>1.5D-QEV</td> <td rowspan="3">Press type</td> </tr> <tr> <td>FG-Y87A+</td> <td>1.5D-QEW</td> </tr> <tr> <td>FG-Y97A+</td> <td>0.8D-QEW</td> </tr> </tbody> </table>	Part No.	For use with cable	Opening	FG-Y67A+	1.5D-QEV	Press type	FG-Y87A+	1.5D-QEW	FG-Y97A+	0.8D-QEW
Part No.	For use with cable	Opening										
FG-Y67A+	1.5D-QEV	Press type										
FG-Y87A+	1.5D-QEW											
FG-Y97A+	0.8D-QEW											

FG-Y Series of Receptacle


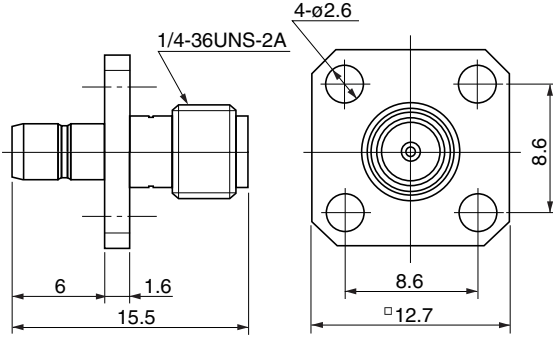

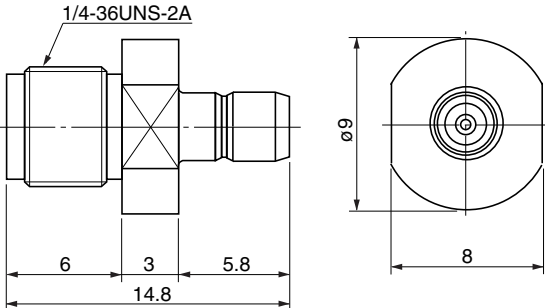

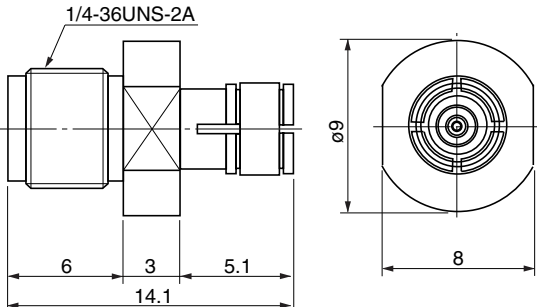

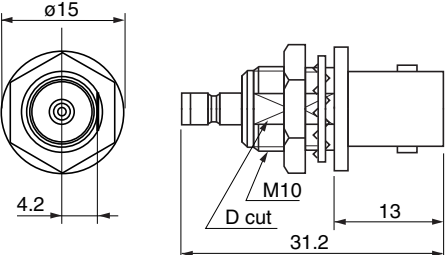
Coaxial connector

RoHS

		<p>Straight receptacle for PCB</p> <table border="1"> <thead> <tr> <th>Part No.</th> <th>Remark</th> </tr> </thead> <tbody> <tr> <td>FG-Y8A+</td> <td>-</td> </tr> <tr> <td>FG-Y208A+</td> <td>Shell is gold plated.</td> </tr> </tbody> </table>	Part No.	Remark	FG-Y8A+	-	FG-Y208A+	Shell is gold plated.
Part No.	Remark							
FG-Y8A+	-							
FG-Y208A+	Shell is gold plated.							
		<p>High profile straight receptacle for PCB</p> <table border="1"> <thead> <tr> <th>Part No.</th> </tr> </thead> <tbody> <tr> <td>FG-Y48A+</td> </tr> </tbody> </table>	Part No.	FG-Y48A+				
Part No.								
FG-Y48A+								
		<p>Right-angle receptacle for PCB</p> <table border="1"> <thead> <tr> <th>Part No.</th> <th>Remark</th> </tr> </thead> <tbody> <tr> <td>FG-Y198A+</td> <td>-</td> </tr> <tr> <td>FG-Y218A+</td> <td>Shell is gold plated.</td> </tr> </tbody> </table>	Part No.	Remark	FG-Y198A+	-	FG-Y218A+	Shell is gold plated.
Part No.	Remark							
FG-Y198A+	-							
FG-Y218A+	Shell is gold plated.							
		<p>Bulkhead receptacle</p> <table border="1"> <thead> <tr> <th>Part No.</th> </tr> </thead> <tbody> <tr> <td>FG-Y59A+</td> </tr> </tbody> </table>	Part No.	FG-Y59A+				
Part No.								
FG-Y59A+								


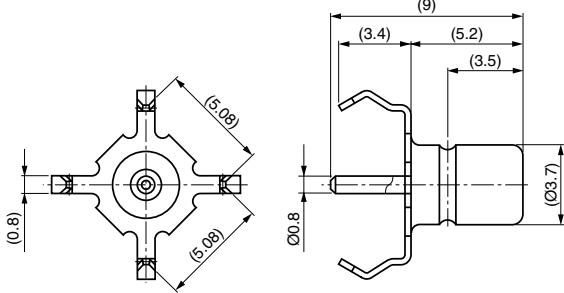

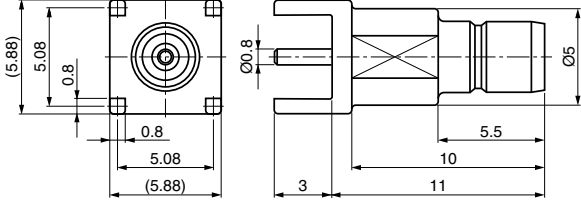
FG-Y Series of Adaptor

RoHS

		<p>FGY (J) - SMA (J) Panel-mounted convertible adaptor</p> <table border="1"> <tr> <td>Part No.</td> </tr> <tr> <td>FG-Y43A+</td> </tr> </table>	Part No.	FG-Y43A+		
Part No.						
FG-Y43A+						
		<p>FGY(J)-SMA(J) convertible adaptor</p> <table border="1"> <thead> <tr> <th>Part No.</th> <th>Remark</th> </tr> </thead> <tbody> <tr> <td>FG-SA2+</td> <td>Shell is gold plated.</td> </tr> </tbody> </table>	Part No.	Remark	FG-SA2+	Shell is gold plated.
Part No.	Remark					
FG-SA2+	Shell is gold plated.					
		<p>FGY(P)-SMA(J) convertible adaptor</p> <table border="1"> <thead> <tr> <th>Part No.</th> <th>Remark</th> </tr> </thead> <tbody> <tr> <td>FG-SA3+</td> <td>Shell is gold plated.</td> </tr> </tbody> </table>	Part No.	Remark	FG-SA3+	Shell is gold plated.
Part No.	Remark					
FG-SA3+	Shell is gold plated.					
		<p>FGY(J)-BNC(J) convertible bulkhead adaptor</p> <table border="1"> <tr> <td>Part No.</td> </tr> <tr> <td>FG-Y105A+</td> </tr> </table>	Part No.	FG-Y105A+		
Part No.						
FG-Y105A+						

FG-Y Series of IDC Tool

For use with IDC tool	Connector	For use with cable
FG-Y7A-CT2	FG-Y102A+	1.5C-QEV
FG-Y67A-CT2	FG-Y67A+	1.5D-QEV
	FG-Y87A+	1.5D-QEW
	FG-Y97A+	0.8D-QEW
FG-Y217A-CT2	FG-Y195A+	1.5D-QEV
	FG-Y215A+	
	FG-Y217A+	1.5D-QEW
	FG-Y227A+	
	FG-Y237A+	
	FG-Y245A+	

		<p>Receptacle</p> <table border="1"> <tr> <td>Part No.</td> </tr> <tr> <td>FG-SRM8()</td> </tr> </table>	Part No.	FG-SRM8()
Part No.				
FG-SRM8()				
		<p>Receptacle</p> <table border="1"> <tr> <td>Part No.</td> </tr> <tr> <td>FG-Y48B+</td> </tr> </table>	Part No.	FG-Y48B+
Part No.				
FG-Y48B+				

