
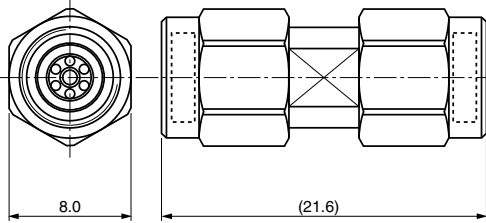

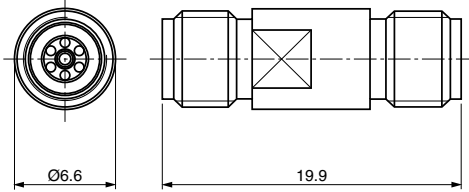

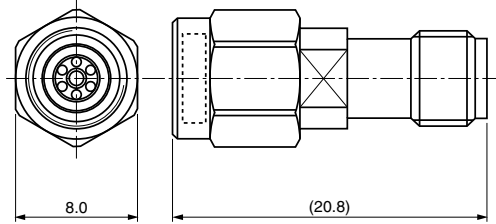

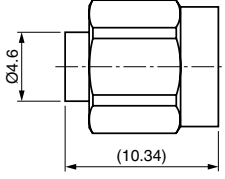

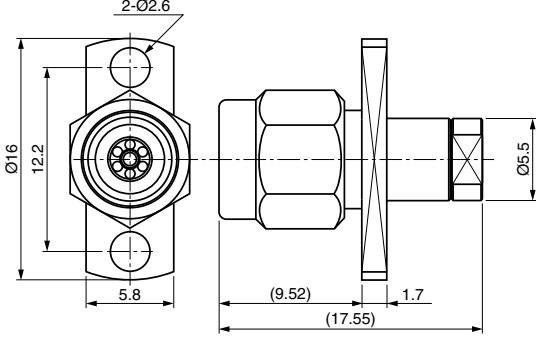

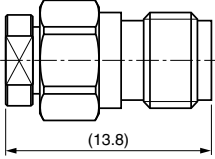

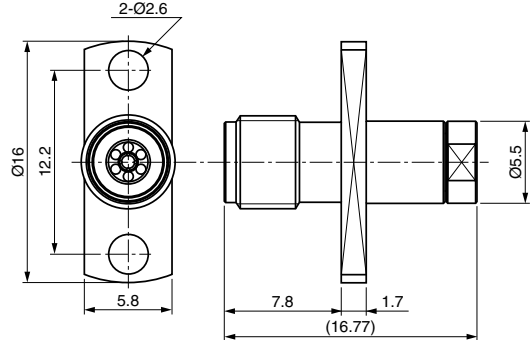


FLK series
K connector (2.92 mm connector)


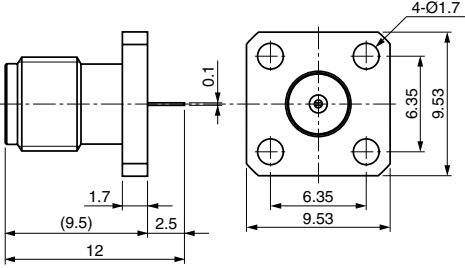

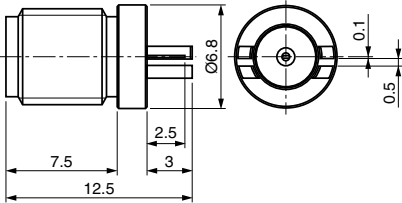
		<p>Straight adapter Plug-Plug adapter</p> <table border="1" data-bbox="1157 426 1328 487"> <tr> <td>Part No.</td> </tr> <tr> <td>FLK-SAI()</td> </tr> </table>	Part No.	FLK-SAI()
Part No.				
FLK-SAI()				
		<p>Straight adapter Jack-Jack adapter</p> <table border="1" data-bbox="1157 847 1328 907"> <tr> <td>Part No.</td> </tr> <tr> <td>FLK-SA2()</td> </tr> </table>	Part No.	FLK-SA2()
Part No.				
FLK-SA2()				
		<p>Straight adapter Plug-Jack adapter</p> <table border="1" data-bbox="1157 1267 1328 1328"> <tr> <td>Part No.</td> </tr> <tr> <td>FLK-SA3()</td> </tr> </table>	Part No.	FLK-SA3()
Part No.				
FLK-SA3()				

FLK series
K connector (2.92 mm connector)

RoHS

		<p>Plug for UT-120LL semi-rigid coaxial cables</p> <table border="1" data-bbox="1105 426 1275 491"> <tr> <td>Part No.</td> </tr> <tr> <td>FLK-SPM1</td> </tr> </table>	Part No.	FLK-SPM1
Part No.				
FLK-SPM1				
		<p>Plug for UT-34 semi-rigid coaxial cables</p> <table border="1" data-bbox="1105 847 1275 911"> <tr> <td>Part No.</td> </tr> <tr> <td>FLK-SPM2</td> </tr> </table>	Part No.	FLK-SPM2
Part No.				
FLK-SPM2				
		<p>Jack for UT-120LL semi-rigid coaxial cables</p> <table border="1" data-bbox="1105 1267 1275 1332"> <tr> <td>Part No.</td> </tr> <tr> <td>FLK-SPF1</td> </tr> </table>	Part No.	FLK-SPF1
Part No.				
FLK-SPF1				
		<p>Jack for UT-34 semi-rigid coaxial cables</p> <table border="1" data-bbox="1105 1688 1275 1752"> <tr> <td>Part No.</td> </tr> <tr> <td>FLK-SPF2</td> </tr> </table>	Part No.	FLK-SPF2
Part No.				
FLK-SPF2				

FLK series
K connector (2.92 mm connector)

		<p>Four-hole flange receptacle</p> <table border="1"> <tr> <td>Part No.</td> </tr> <tr> <td>FLK-SRF2</td> </tr> </table>	Part No.	FLK-SRF2
Part No.				
FLK-SRF2				
		<p>Receptacle for board-edges</p> <table border="1"> <tr> <td>Part No.</td> </tr> <tr> <td>FLK-SRF1</td> </tr> </table>	Part No.	FLK-SRF1
Part No.				
FLK-SRF1				

