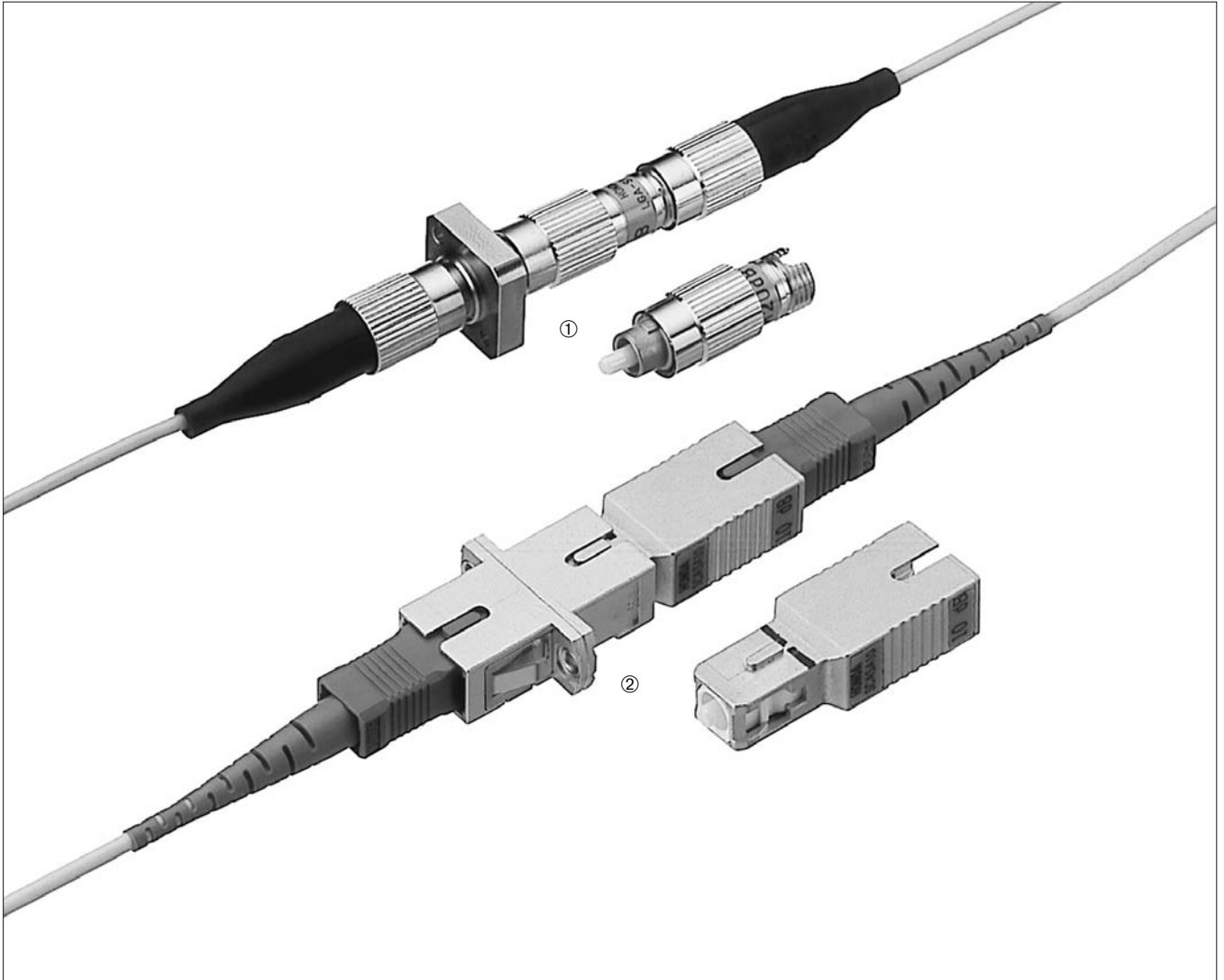


Optical Fixed Attenuator

Optical fiber connector

Optical fixed attenuator

Use these attenuators for adjusting the section levels of optical communication systems, experimenting the optical communication, and other purposes.



①FC-type Optical Fixed Attenuators

②SC-type Optical Fixed Attenuators

SC-type Optical Fixed Attenuator

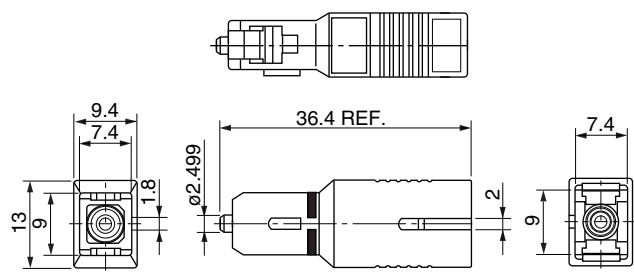
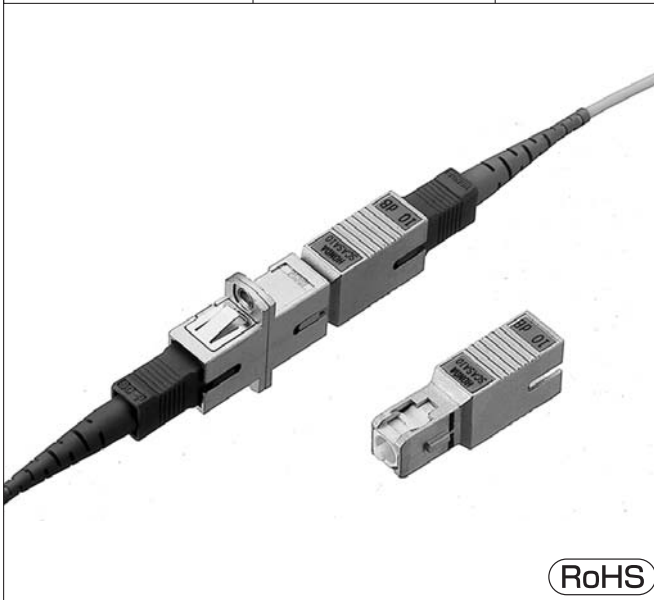
Optical fiber connector
Optical fixed attenuator
SC-type

SC-type Optical Fixed Attenuators

Please contact us if required attenuations are not shown in the table below.

Item number	Mode	Attenuation Quantity and Tolerance	Return Loss	Optical Max Resistance Input	Ferrule Polishing
LGA-SHP303S+R	Single Mode 1.55 Single Mode	3±1.0dB	40dB or more	~100mW	AdPC
LGA-SHP305S+R		5±1.5dB			
LGA-SHP310S+R		10±1.5dB			
LGA-SHP315S+R		15±1.5dB			
LGA-SHP320S+R		20±1.5dB			
LGA-SHP325S+R		25±1.5dB			
LGA-SHP330S+R		30±2.5dB			
LGA-G303L+R	Multi Mode Graded Index	3±1.0dB	22dB or more	~10mW	PC
LGA-G305L+R		5±1.5dB			
LGA-G310L+R		10±1.5dB			
LGA-G315L+R		15±1.5dB			
LGA-G320L+R		20±1.5dB			

unit(mm)



MU-type Optical Fixed Attenuator

Optical fiber connector


Optical fixed attenuator

MU-type

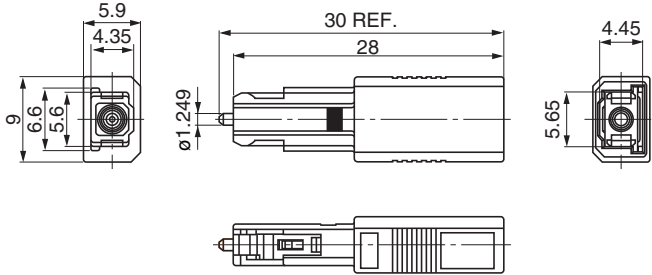
MU-type Optical Fixed Attenuator

Please contact us if required attenuations are not shown in the table below.

Item number	Mode	Attenuation Quantity and Tolerance	Return Loss	Optical Max Resistance Input	Ferrule Polishing
LGA-S601KCA	Single Mode	1±0.5dB	40dB or more	~100mW	AdPC
LGA-S603KCA		3±1.0dB			
LGA-S605KCA		5±1.5dB			
LGA-S610KCA		10±1.5dB			
LGA-S615KCA		15±2.0dB			
LGA-S620KCA		20±2.0dB			



unit(mm)




RoHS

Narrow-Pitch MU-type Optical Fixed Attenuator

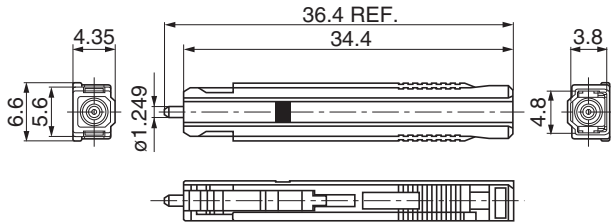
Narrow-Pitch MU-type optical fixed attenuator can be multiply connected to a 4.5mm MU adaptor for multiple ports, or to a back board housing for high-density mounting.

For removing J-plug, use its exclusive removing tool. (LGC-KP609)

Item number	Mode	Attenuation Quantity and Tolerance	Return Loss	Optical Max Resistance Input	Ferrule Polishing
LGA-S601LC+R	Single Mode	1±0.5dB	40dB or more	~100mW	AdPC
LGA-S603LC+R		3±1.0dB			
LGA-S605LC+R		5±1.5dB			
LGA-S610LC+R		10±1.5dB			
LGA-S615LC+R		15±2.0dB			
LGA-S620LC+R		20±2.0dB			



unit(mm)




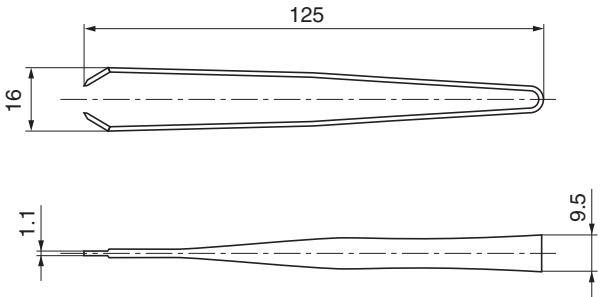
RoHS

Note: Conventional MUJ-type plug and MU-type plug which coupling device is removed can be inserted into the attenuator.

MUJ-type Plug Removing Tool
LGC-KP609

Optical fiber connector
Optical fixed attenuator
MU-type
Tool

MUJ-type Plug Removing Tool

Item Number	Note	unit(mm)
LGC-KP609		
		
RoHS		

Note 1: This removing tool is a tool to pull out MU-type plugs from a narrow pitch MU-type fixed optical attenuator LGA-S6()LC+R (Refer to page L-80).

Note 2: For high density plug-in type package housing, please use the LGC-KP602C removing tool (Refer to page L-71).