

LPF series

0.5 mm pitch stacking connectors

Outline

These products have been developed as a connector for high-speed transmission such as PCI Express, LVDS, and TMDS.

Features

- Achieves performance conforming to PCI Express specifications for differential signal interface connectors.
- Supports two stacking heights, 4 and 5 mm.
- Pitches between
 - Pair of differential signal contacts: 0.7 mm
 - Signal and ground contacts: 0.4 mm
 - SMT leads: 0.5 mm

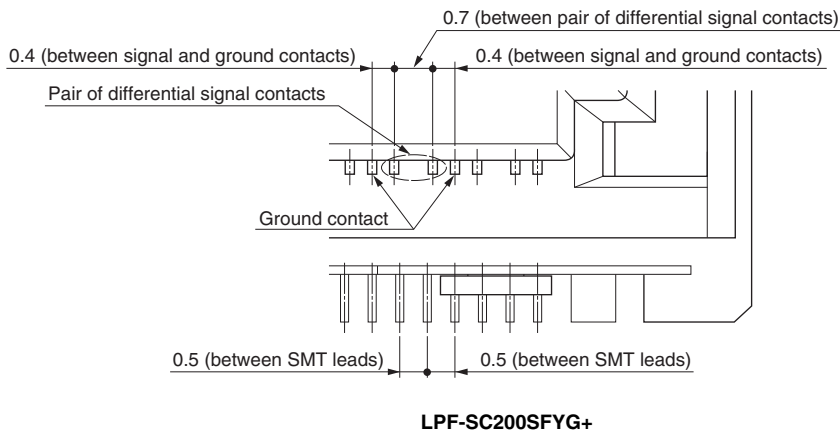
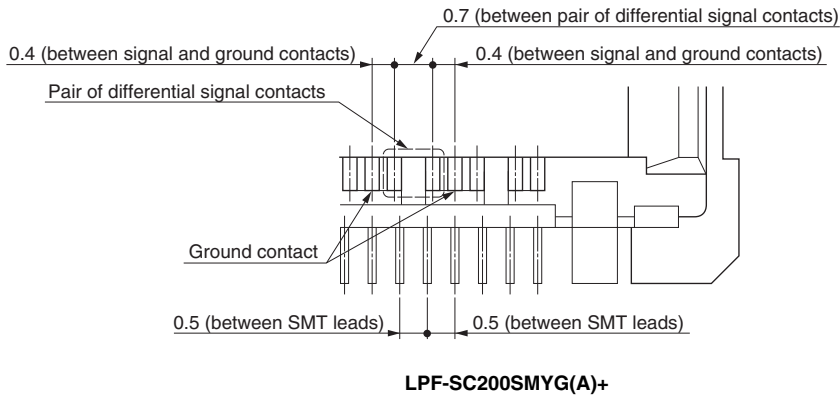
Electrical Characteristics

Rated voltage	200V AC (r.m.s.)
Rated current	0.5 A per one contact
Insulation resistance	Over 100 megohms at 100V DC
Dielectric withstanding voltage	500V AC (r.m.s.)
Contact resistance	Signal Contacts 60 milliohms Shell 150 milliohms

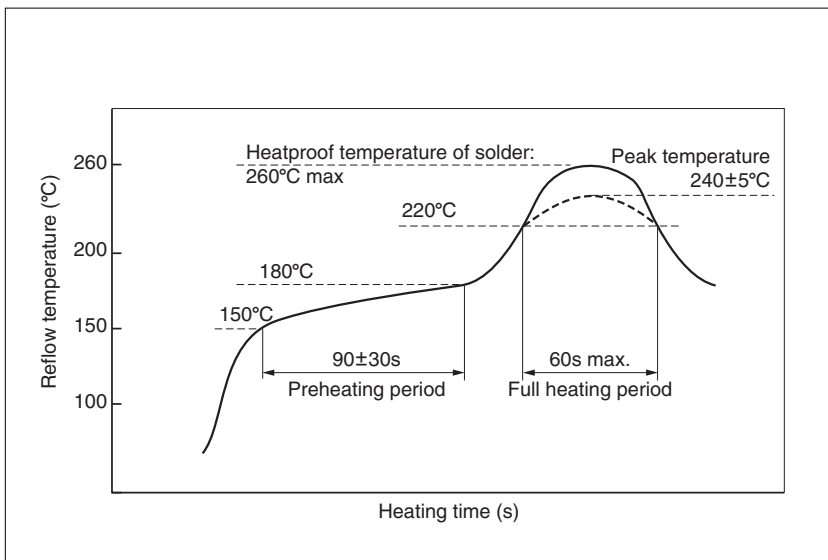
Document Disclaimer

- When placing orders with us, minimum order quantities are set for every product.
- Be sure to contact us before starting preliminary design of PCBs using our connectors.
- The specifications and information shown in the catalog are subject to change without notice.

Pitches between Contacts



Reflow temperature profile (for reference purposes)



The reflow temperature profile shown in this drawing is for reference purposes. This profile depends on requirements such as reflow equipment, soldering paste, and PCB size. Thus, this profile may not meet with your specific situation. Please evaluate your PCB-mounting soldering and set your own reflow temperature profile.

Product List



0.5 mm pitch stacking plug
connector
LPF-SC200SMYG()+

I-6
LPF series...4



0.5 mm pitch stacking receptacle
connector
LPF-SC200SFYG+

I-7
LPF series...5

0.5 mm pitch stacking plug connector LPF-SC200SMYG()+

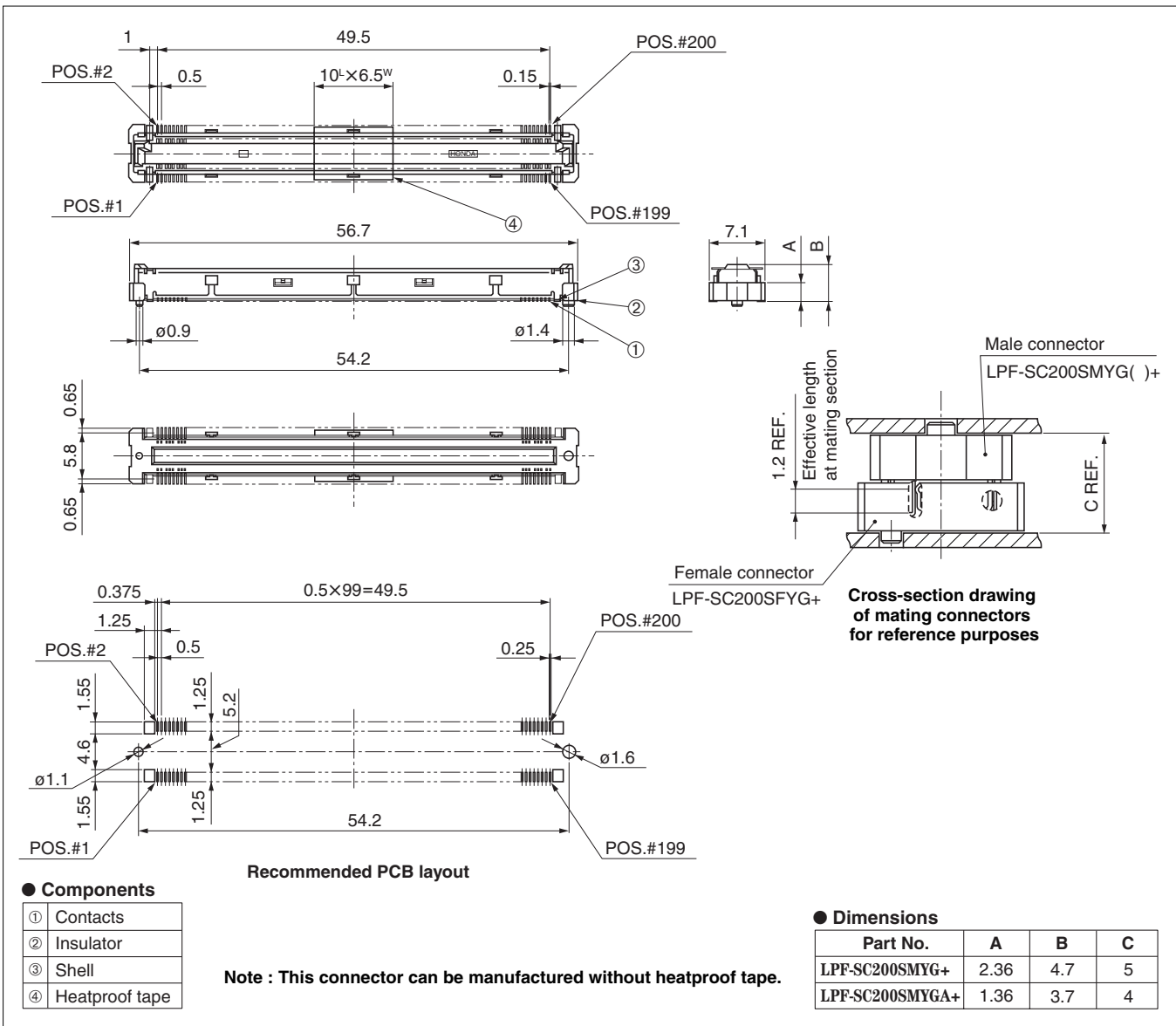
0.5mm pitch connector
For PCB
Straight SMT
For PCI Express

RoHS



● Configuration of product Part No.
LPF- SC 200 SMY G ()+

- ① Series name
② No. of contacts: 200
③ Type of contact
SMY: Plug, Straight SMT type
④ Contact plating
G: Min. 0.76 μm Gold plate
⑤ Mating height
Blank: 5mm
A : 4mm



Mating connector: LPF-SC200SFYG+

0.5 mm pitch stacking receptacle connector
LPF-SC200SFYG+

0.5mm pitch connector

For PCB

Straight SMT

For PCI Express

RoHS

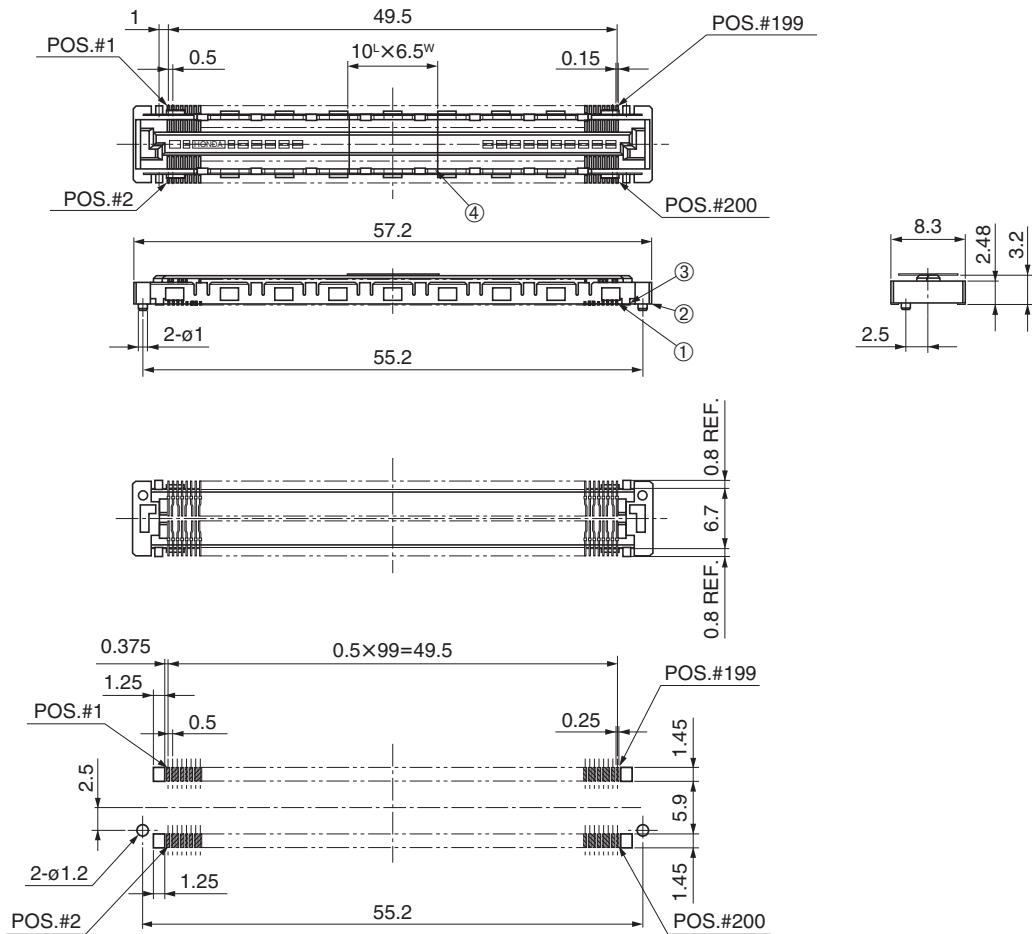


● Configuration of product Part No.

LPF- SC 200 SFY G+

① ② ③ ④

- ① Series name
- ② No. of contacts: 200
- ③ Type of contact
SFY : Receptacle, SMT type
- ④ Contact plating
G: Min. 0.76 μm Gold plate



● Components

①	Contacts
②	Insulator
③	Shell
④	Heatproof tape

Recommended PCB layout

Note : This connector can be manufactured without heatproof tape.

Mating connector: LPF-SC200SMYG+ (Mating Height 5mm), LPF-SC200SMYGA+ (Mating Height 4mm)