

PCRA series

1.27 mm Pitch Connectors

Outline

The PCRA series are connectors complying with SFF-8451 standards.

Features

- Complies with SFF-8451 standards.
- Two types of connectors, through hole type and press-in type are available.
- Housing with mating guide for preventing short circuit allows parallel mating.

Principal Applications

Office automation equipment, communications equipment, smaller-sized electronic equipment, etc.

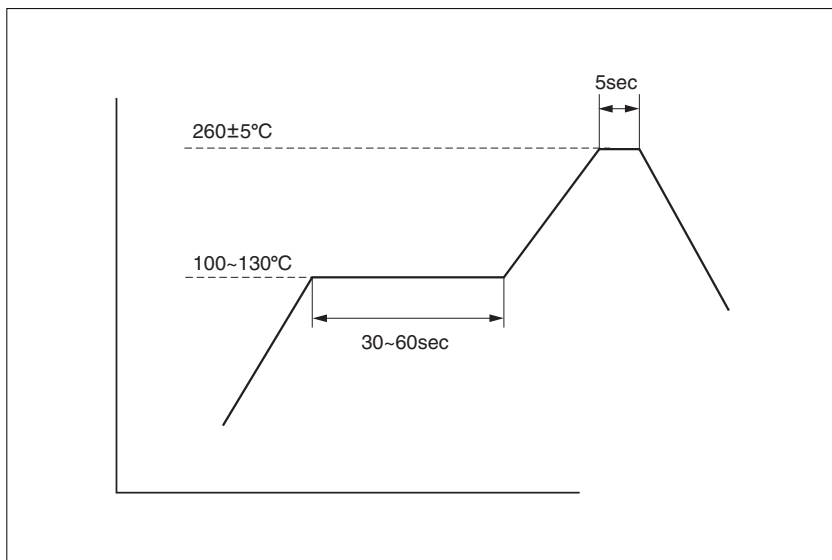
Electrical Characteristics

Rated voltage	250V AC (r.m.s.)
Rated current	1 A
Insulation resistance	Over 1000 megohms at 250V DC
Dielectric withstanding voltage	500V AC (r.m.s.) for up to one minute
Contact resistance	35 milliohms or less

Document Disclaimer

- When placing orders with us, minimum order quantities are set for every product.
- Be sure to contact us before starting preliminary design of PCBs using our connectors.
- The specifications and information shown in the catalog are subject to change without notice.

Flow temperature profile (for reference purposes)



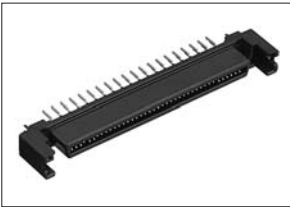
The flow temperature profile as shown above is for reference purposes. This profile depends on requirements such as the PCB size. Thus, this profile may not meet with your specific situation. Please evaluate your PCB-mounting soldering and set your own flow temperature profile.

● **Applicable products**

PCRA-80SFDG1+

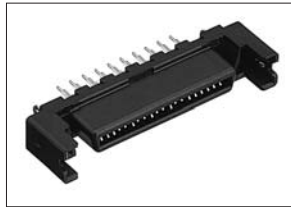
The profile shown in this drawing is applicable only for those products shown above.

Product List



Straight through hole type
female connector for PCB
PCRA-80SFDG1+

B-104
PCRA series...4



Straight press-in type
female connector for PCB
PCRA-40SFPG1A+

B-105
PCRA series...5



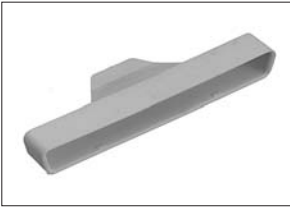
Straight press-in type
female connector for PCB
(High profile type)
PCRA-A80SFPG2+

B-106
PCRA series...6



Straight press-in type
female connector for PCB
PCRA-()SFPG1+

B-107
PCRA series...7



Dust cover for PCRA
QZM-80RC

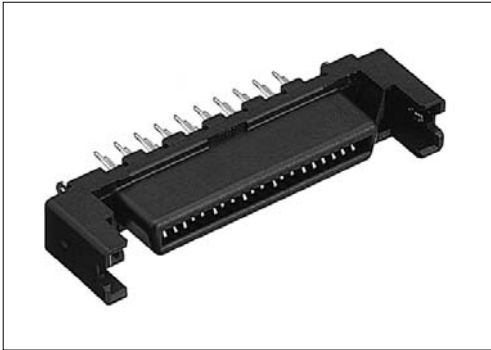
B-108
PCRA series...8

Straight press-in type female connector for PCB
PCRA-40SFPG1A+

For PCB

Straight Press-in

RoHS

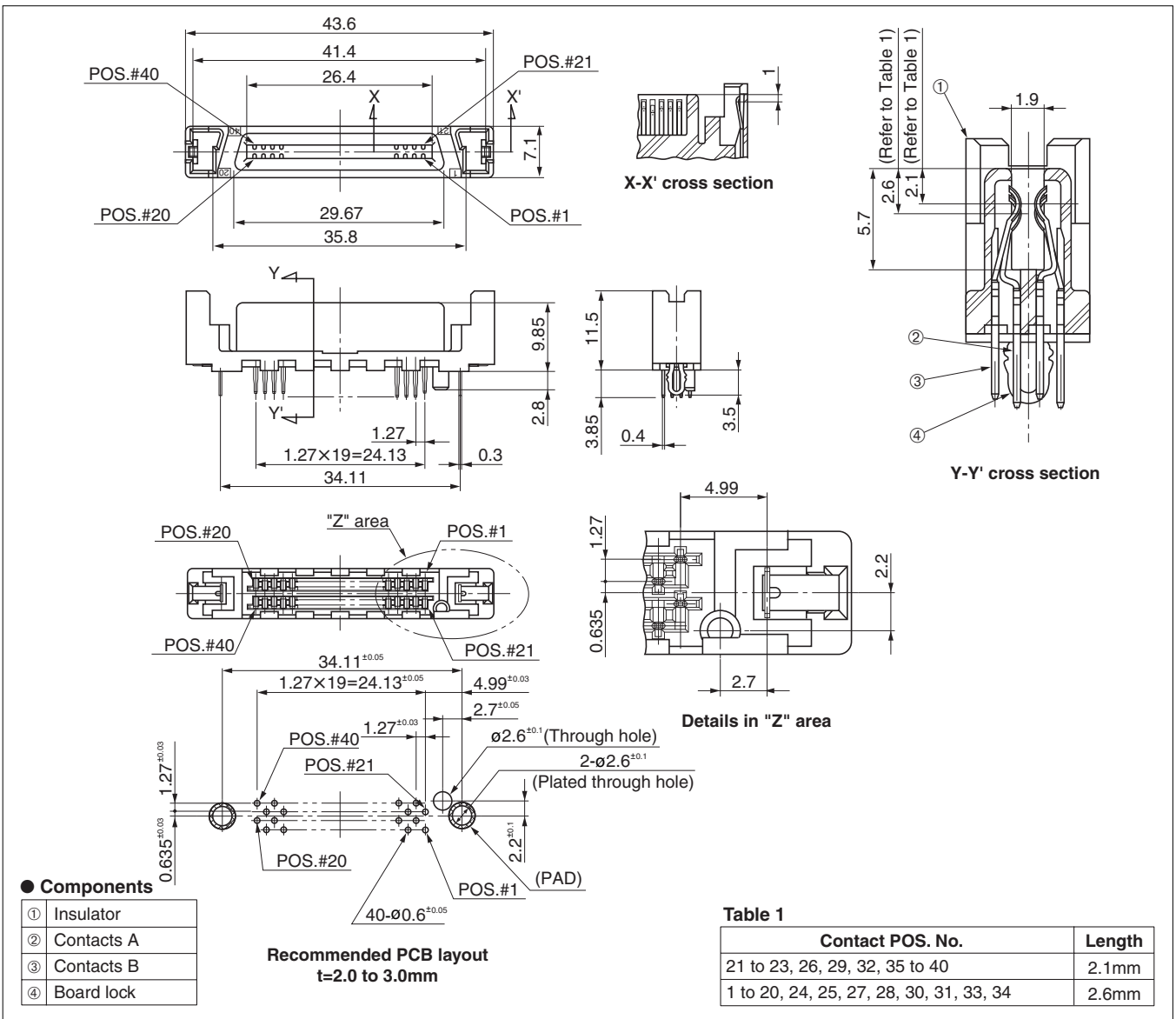


● Configuration of product Part No.

PCRA- 40 SFP G 1 A+

① ② ③ ④ ⑤ ⑥

- ① Series name
- ② No. of contacts: 40
- ③ Type of connector: Straight press-in type, female
- ④ Contact plating: Gold plating
- ⑤ Standard profile type
- ⑥ Press-in type board lock



Straight press-in type female connector for PCB
(High profile type)
PCRA-A80SFPG2+

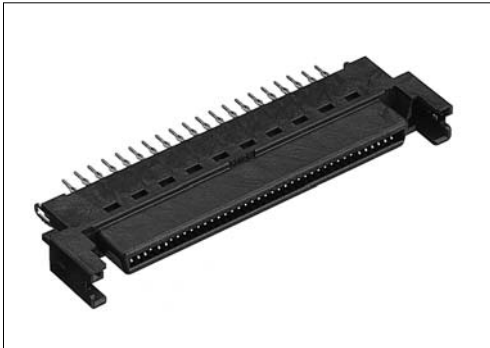
RoHS

1.27 mm pitch connector

For PCB

Straight Press-in

SFF-8451 standards

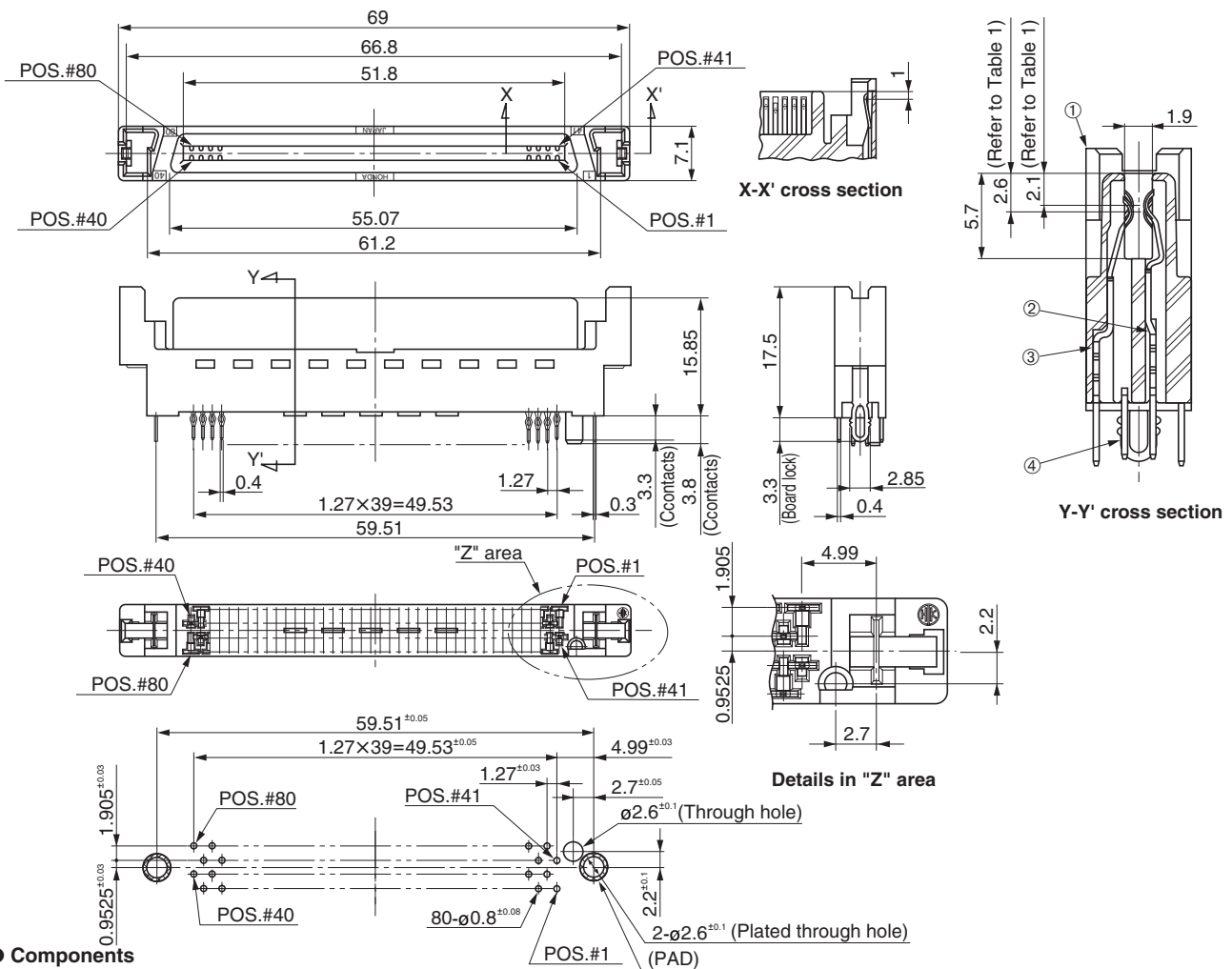


● Configuration of product Part No.

PCRA- A80 SFP G 2+

① ② ③ ④ ⑤

- ① Series name
- ② No. of contacts: 80
- ③ Type of contact: Straight press-in type, female
- ④ Contact plating: Gold plating
- ⑤ High profile type



● Components

①	Insulator
②	Contacts A
③	Contacts B
④	Board lock

Recommended PCB layout
 t=2.4mm

Table 1

Contact POS. No.	Length
1, 36 to 43, 45, 46, 75 to 80	2.1mm
2 to 35, 44, 47 to 74	2.6mm

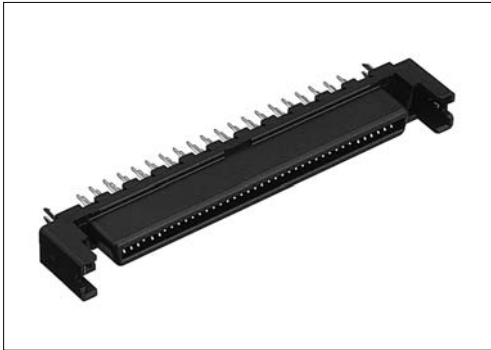
Straight press-in type female connector for PCB
PCRA-()SFPG1+

For PCB

Straight Press-in

SFF-8451 standards

RoHS

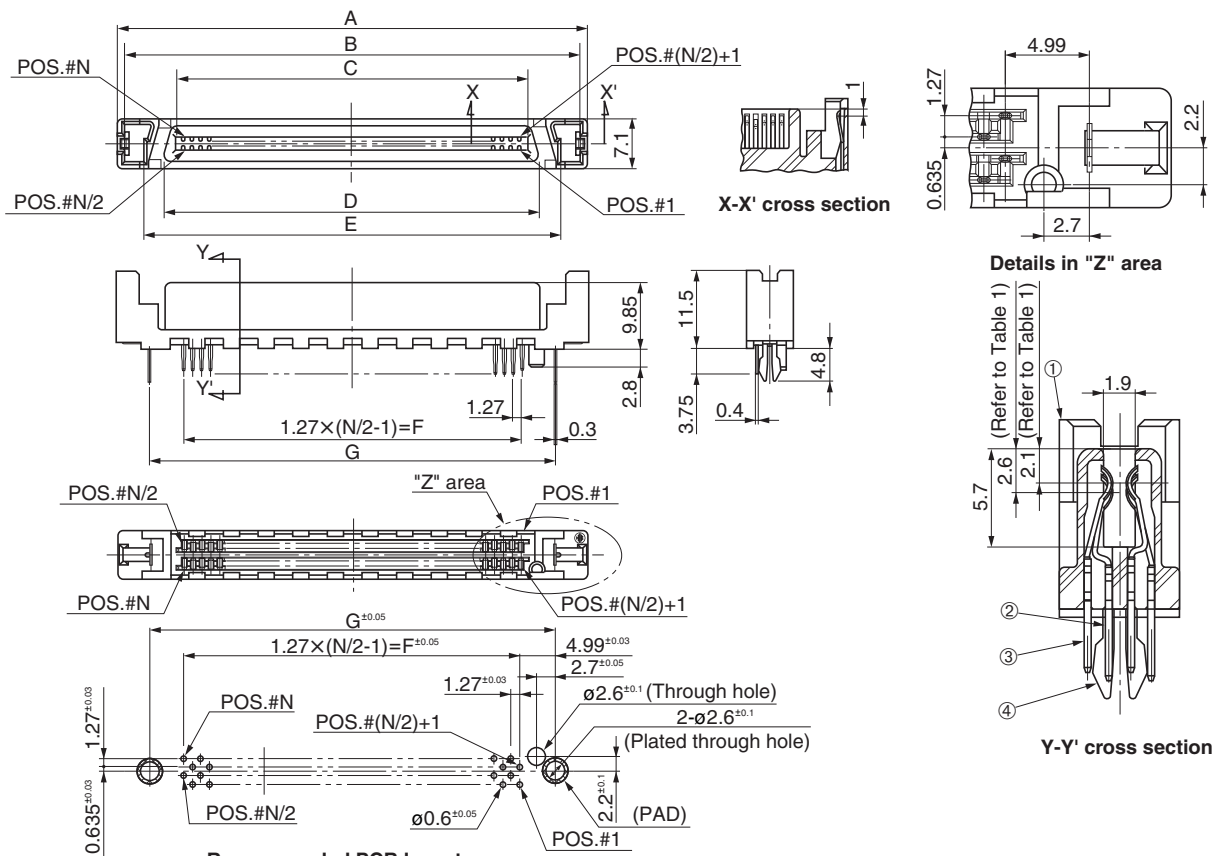


● Configuration of product Part No.

PCRA- () SFP G 1+

① ② ③ ④ ⑤

- ① Series name
- ② No. of contacts: 40 or 80
- ③ Type of connector: Straight press-in type, female
- ④ Contact plating: Gold plating
- ⑤ Standard profile type



● Components

①	Insulator
②	Contacts A
③	Contacts B
④	Board lock

Table 1

Contact POS. No.		Length
40 contacts (N=1 to 40)	80 contacts (N=1 to 80)	
21, 22, 23, 26, 29, 32, 35 to 40	1, 36 to 43, 45, 46, 75 to 80	2.1mm
1 to 20, 24, 25, 27, 28, 30, 31, 33, 34	2 to 35, 44, 47 to 74	2.6mm

● Dimensions

Part No.	N	A	B	C	D	E	F	G
PCRA-40SFPG1+	40	43.6	41.4	26.4	29.67	35.8	24.13	34.11
PCRA-80SFPG1+	80	69	66.8	51.8	55.07	61.2	49.53	59.51

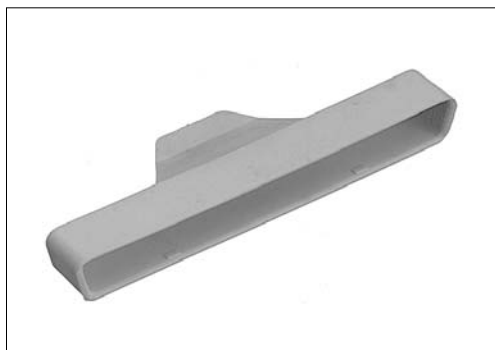
Dust cover for PCRA
QZM-80RC

1.27 mm pitch connector

Accessories

Dust cover

RoHS

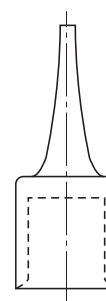
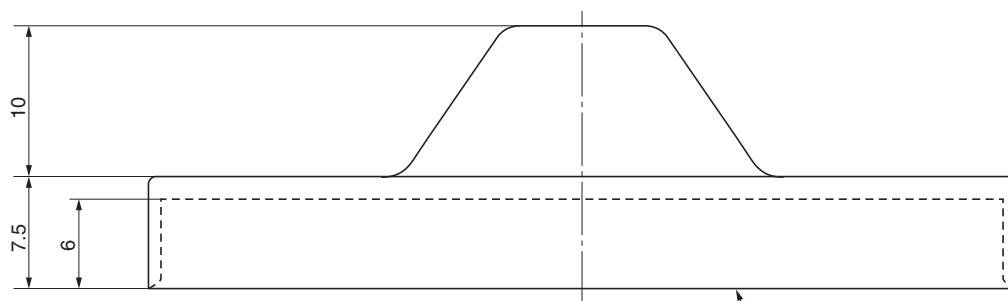
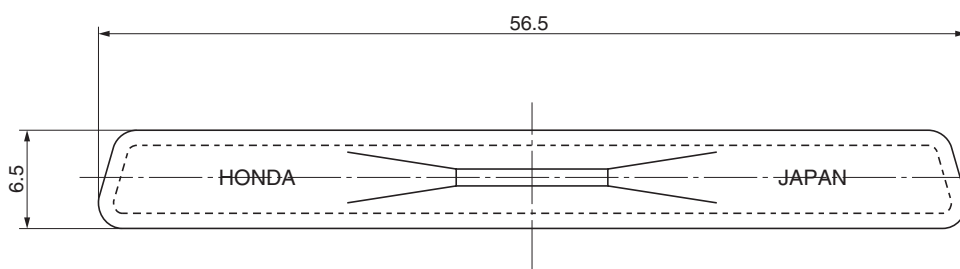


● Configuration of product Part No.

QZM- 80 RC

① ②

- ① Series name
- ② Dust cover for 80-contact connector



● Component

- ① Dust cover