



# PXH series

## Connectors for Mobile Equipment

### Outline

The PXH series of narrow pitch connectors for interfaces, which are small light weight connectors.

### Features

- Contact pitch is 0.5 mm. However, this series utilizes highly reliable bel-lows type contacts.
- This robust and metallic shell provides a complete ESD-filtered structure.
- Since the housing is small and low-profile, size reduction of equipment can be achieved.

### Principal Applications

PDA mobile terminals, browser boards, notebook-type personal computers, etc.

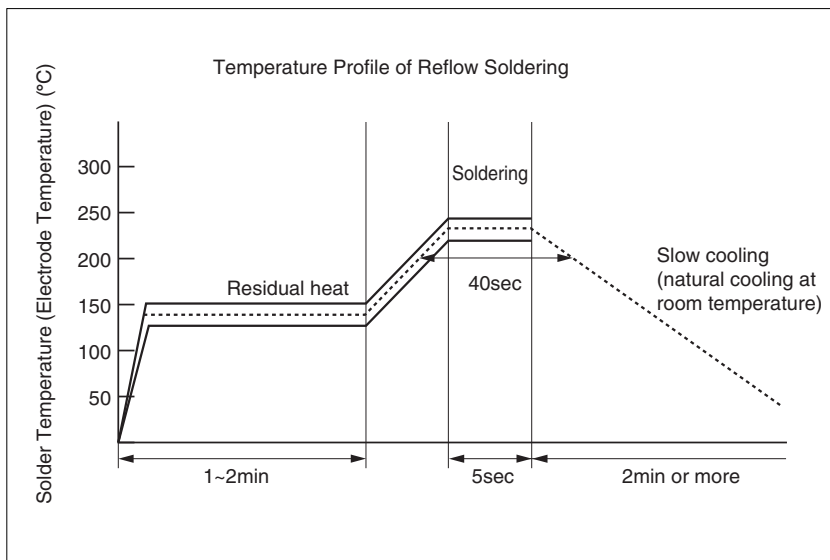
### Electrical Characteristics

Rated voltage	30V AC (r.m.s.)
Rated current	0.5 A DC
Insulation resistance	1000 megohms MIN. at 250V DC
Dielectric withstanding voltage	300V AC (r.m.s.) for one minute
Contact resistance	50 milliohms MAX.

#### Document Disclaimer

- When placing orders with us, minimum order quantities are set for every product.
- Be sure to contact us before starting preliminary design of PCBs using our connectors.
- The specifications and information shown in the catalog are subject to change without notice.

## Reflow temperature profile (for reference purposes)



The reflow temperature profile shown in this drawing is for reference purposes. This profile depends on requirements such as reflow equipment, soldering paste, and PCB size. Thus, this profile may not meet with your specific situation. Please evaluate your PCB-mounting soldering and set your own reflow temperature profile.

### ●Applicable products

PXH-A16LMYG

The profile shown in this drawing is applicable only for those products shown above.

---

## Product List



Board receptacle connector  
PXH-A16LMYG

**G-12**  
PXH series...4



Cable plug connector  
PXH-A16FSG

**G-13**  
PXH series...5



Backshell  
PXH-A16SP

**G-14**  
PXH series...6

Board receptacle connector  
**PXH-A16LMYG**

For mobile equipment

For PCB

Right-angle SMT

RoHS

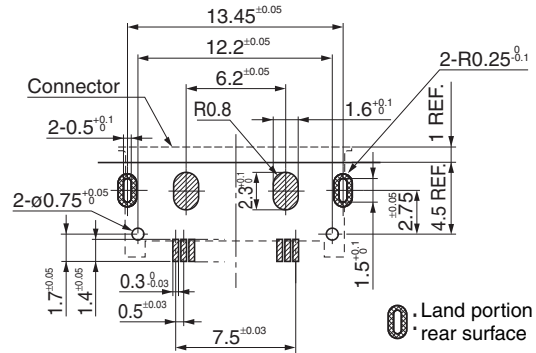
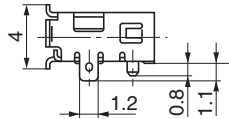
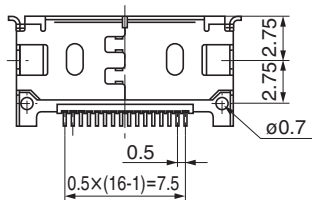
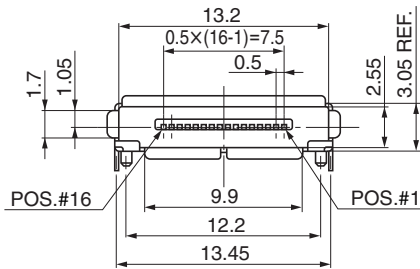
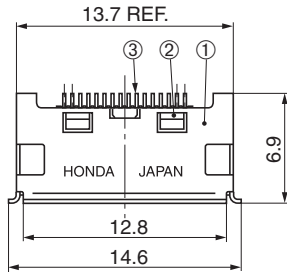


● Configuration of product Part No.

**PXH-A 16 LMY G**

①      ②      ③      ④

- ① Series name
- ② No. of contacts: 16
- ③ Type of contact  
 LMY: Right-angle SMT type, male
- ④ Contact plating  
 G: Gold plate



Recommended PCB layout  
 t = 0.7 mm

● Components

①	Shell
②	Insulator
③	Contacts

Mating connectors: PXH-A16FSG

Cable plug connector  
PXH-A16FSG

For cable

Soldering

RoHS

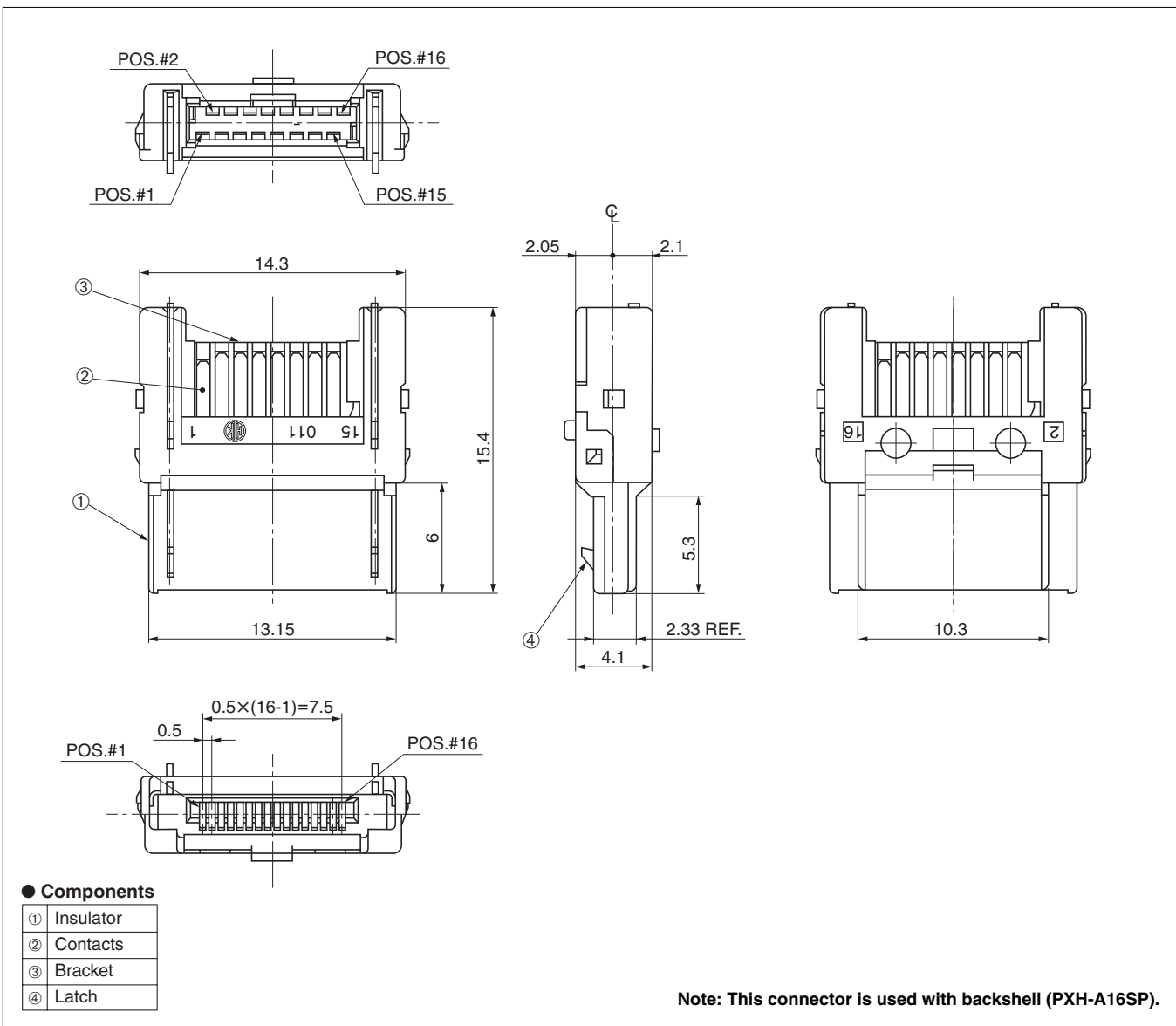


● Configuration of product Part No.

**PXH-A 16 FS G**

① ② ③ ④

- ① Series name
- ② No. of contacts: 16
- ③ Type of contact  
FS: Straight soldering type, female
- ④ Contact plating  
G: Gold plate



Mating connectors: PXH-A16LMYG

For use with backshell: PXH-A16SP

**Backshell  
PXH-A16SP**

**For mobile equipment**

**For cable**

**Housing**

RoHS

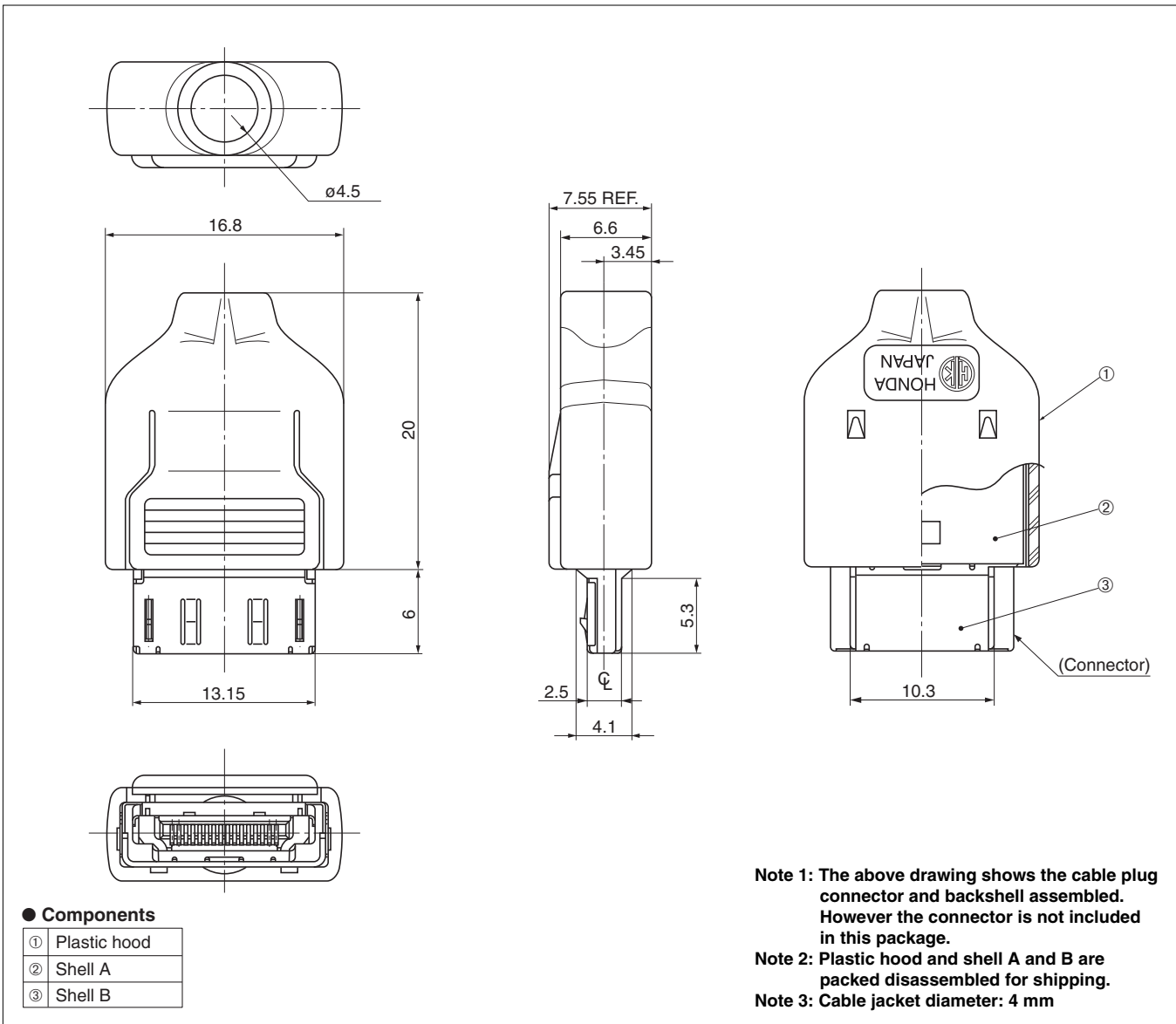


● Configuration of product Part No.

**PXH-A 16 SP**

①      ②      ③

- ① Series name
- ② No. of contacts: 16
- ③ Type of backshell: Top squeeze latch



For use with connector: PXH-A16FSG