

Right-angle DIP type receptacle connector for PCBs
TAK-A4LMDGB()-() ()+

2 mm pitch connector

For PCBs

Right-angle DIP

EMI-filtered countermeasures

RoHS

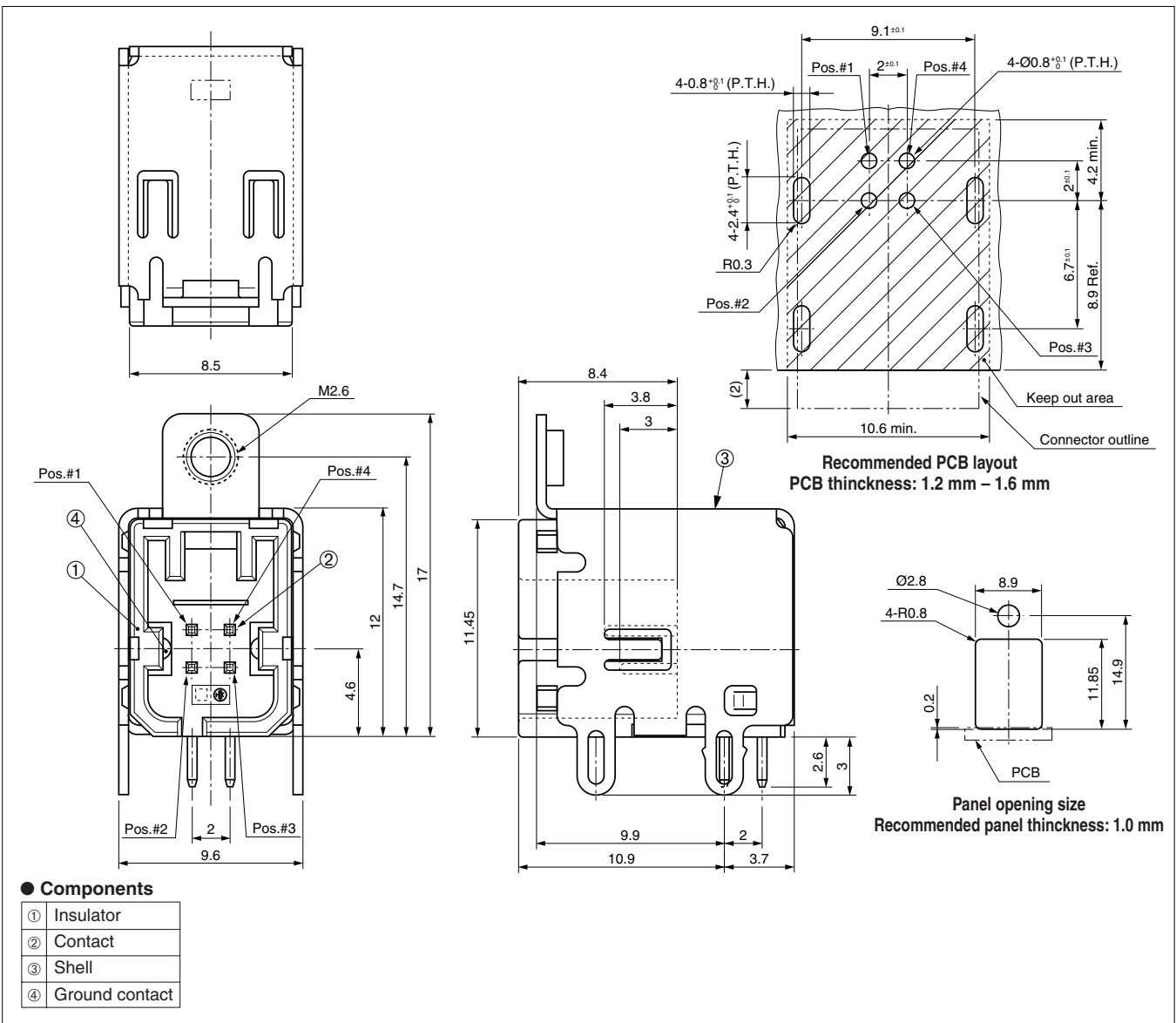


● Configuration of product Part No.

TAK- A 4 LMD G B ()- () ()+

① ② ③ ④ ⑤ ⑥ ⑦ ⑧ ⑨

- ① Series name
- ② Classification
A: Middle
- ③ No. of contacts: 4
- ④ Form of contact
LMD: Right-angle, DIP type, receptacle
- ⑤ Contact plating
G: Min. 0.2 μm Gold plate
- ⑥ Insulator color
B: Black
- ⑦ Live wire
Blank: Provided
- ⑧ Form of key
A: A type
- ⑨ Form of shell
B: One screw is provided at the top of the shell.
F: The screw is not provided.



Mating connector: TAK-A4SFCGB-() ()+

Straight crimping type plug connector for cables
TAK-A4SFCGB-() ()+

2 mm pitch connector

For cables

Crimping

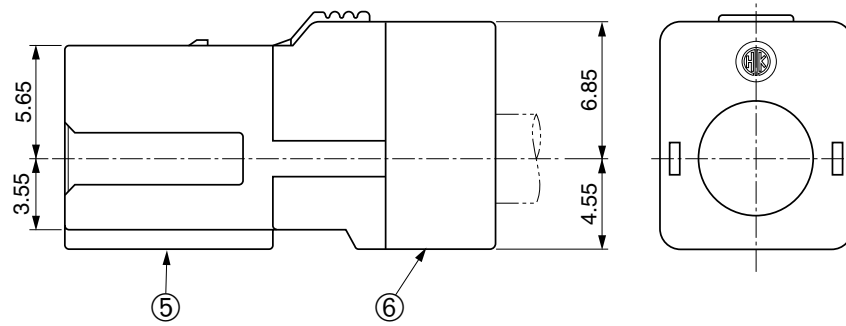
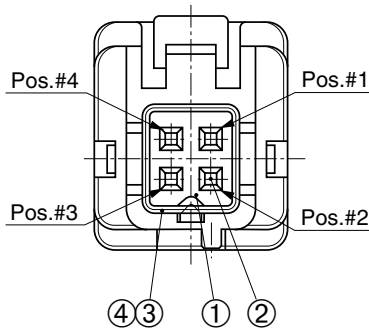
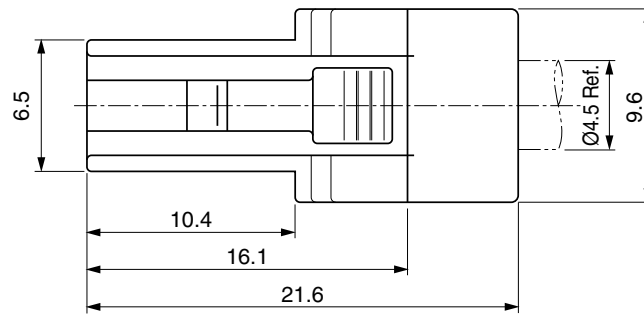
RoHS



● Configuration of product Part No.

TAK- A 4 SFC G B- () ()+

- | | | | | | | | |
|---------------|------------------|----------------------|------------------------------------|---------------------------|-------------------|---------------|-------------------------------------|
| ① | ② | ③ | ④ | ⑤ | ⑥ | ⑦ | ⑧ |
| ① Series name | ② Classification | ③ No. of contacts: 4 | ④ Form of contact | ⑤ Contact plating | ⑥ Insulator color | ⑦ Form of key | ⑧ Outside diameter of applied cable |
| | A: Middle | | SFC: Straight, crimping type, plug | G: Min. 0.2 μm Gold plate | B: Black | A: A type | A: 4.5 mm |



● Components

①	Housing
②	Contact
③	Shell A
④	Shell B
⑤	Hood A
⑥	Hood B

*Contacts are not included.

Mating connector: TAK-A4LMDGB()-() ()+

Right-angle DIP type receptacle connector for PCBs
TAK-A6LMDGB()-()(+)

2 mm pitch connector

For PCBs

Right-angle DIP

RoHS

EMI-filtered countermeasures

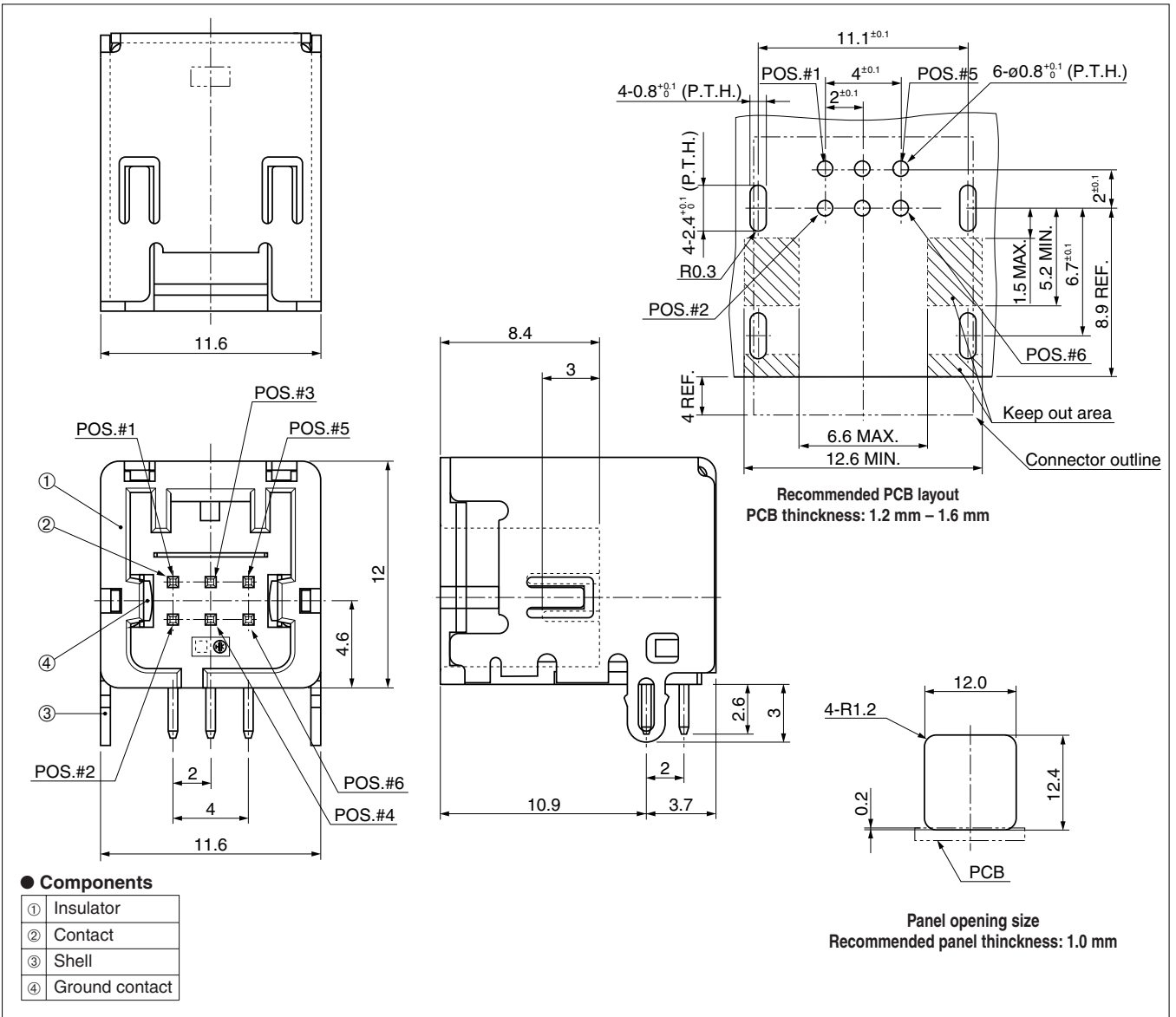


● Configuration of product Part No.

TAK- A 6 LMD G B ()- () () +

① ② ③ ④ ⑤ ⑥ ⑦ ⑧ ⑨

- ① Series name
- ② Classification
A: Middle
- ③ No. of contacts: 6
- ④ Form of contact
LMD: Right-angle, DIP type, receptacle
- ⑤ Contact plating
G: Min. 0.2 μm Gold plate
- ⑥ Insulator color
B: Black
- ⑦ Live wire
A: None
- ⑧ Form of key
A: A type
- ⑨ Form of shell
FC: Without flange for locking screw.
Two shell DIP portions are available.



Mating connector: TAK-A6SFCGB()(+)

Straight crimping type plug connector for cables
TAK-A6SFCGB-() ()+

2 mm pitch connector

For cables

Crimping

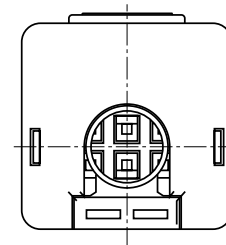
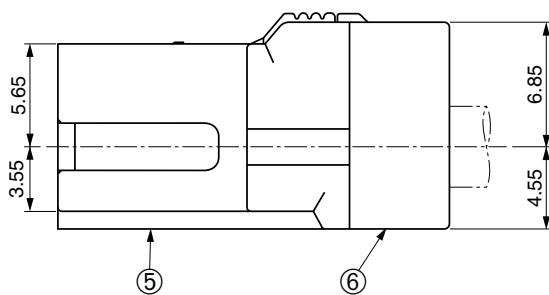
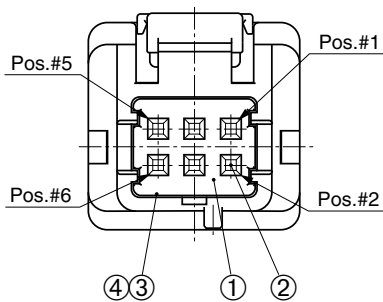
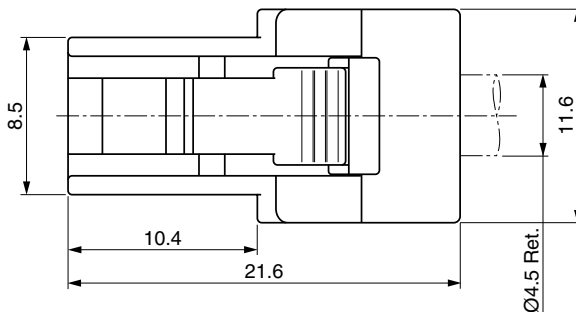
RoHS



● Configuration of product Part No.

TAK- A 6 SFC G B- () ()+

- | | |
|------------------------------------|-------------------------------------|
| ① Series name | ⑥ Insulator color |
| ② Classification | B: Black |
| A: Middle | ⑦ Form of key |
| ③ No. of contacts: 6 | A: A type |
| ④ Form of contact | ⑧ Outside diameter of applied cable |
| SFC: Straight, crimping type, plug | A: 3.5 mm |
| ⑤ Contact plating | B: 4.5 mm |
| G: Min. 0.2 μm Gold plate | |



● Components

- | |
|-----------|
| ① Housing |
| ② Contact |
| ③ Shell A |
| ④ Shell B |
| ⑤ Hood A |
| ⑥ Hood B |

*Contacts are not included.

Mating connector: TAK-A6LMDGB()-() ()+